



633/BI ruspa

design gae aulenti, 1968

Table lamp with direct and indirect light, in white lacquered metal, the arm is jointed on the base, two reflectors turn around the upper part of the arm each one independently from the other. Available with four arms and eight reflectors version. For Led bulb.

633/BI ruspa

family:	ruspa	Body Color:	<input type="radio"/>
Designers:	Gae Aulenti	Diffuser Color:	<input type="radio"/>
Utilization:	indoor	Body Materials:	aluminium
Typology:	table lamps	Diffuser Materials:	aluminium
Certifications:			

Market: This item is available in the following countries:
EUROPE

Dimensions

Width:	-
Height:	58 cm
Length:	-
Depth:	-
Diameter:	30 cm

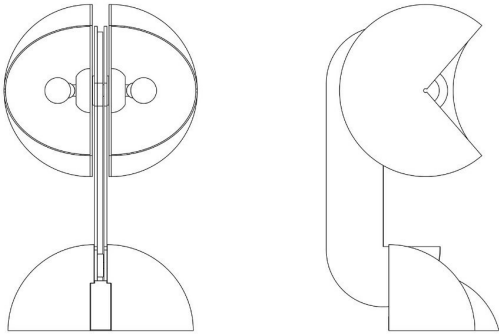
Hole Diameter:	-
Hole Depth:	-
Net weight:	10,5 Kg

Light Source

Watt:	2 x 5W E14
Lumen:	0 lm
Light Source:	led
duration:	25000
Energy degree:	A+

Device Specifications

Type of emission:	direct/indirect	Power cable length:	40+200 cm	Driver:	-
Power:	7W	Steel cable length:	-	Power supply assembly:	-
Light output:	152lm	Glow Wire Test:	-	Power supply:	-
Beam angle:	-	Impact Resistance:	-	Type of dimming:	-
				Voltage:	230V



Dimensions

Width: -
Height: 58 cm
Length: -
Depth: -
Diameter: 30 cm

Hole Diameter: -
Hole Depth: -
Net weight: 10,5 Kg



ruspa 633/BI
design gae aulenti, 1968

