



PRODUCT SHEET

**Androgyne Dining Table, Rectangular**  
*by Danielle Siggerud*

# Androgyne Dining Table, Rectangular 210 x 100

BY DANIELLE SIGGERUD

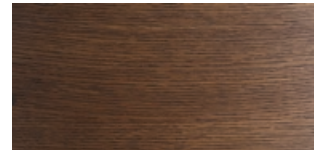
The Androgyne Collection pairs natural materials and sculptural forms to striking effect, taking its name from its blend of the masculine and feminine. A bold, confident take on a table, the rectangular iteration amplifies the dimensions of the collection's dining table to grander proportions. The architect-designed piece, crafted with a wood veneer top and base, serves as a community-style table, with room to seat from 8-10 individuals. Available in 210 cm and 280 cm, its artistic silhouette balances function and beauty.

## PRODUCT OPTIONS

### TABLETOP



NATURAL OAK



DARK STAINED OAK

### OAK BASE



NATURAL OAK



DARK STAINED OAK

Androgyne Dining Table, Rectangular 210 x 100, Natural Oak, by Danielle Siggerud  
Harbour Dining Chair, Dark Stained Oak / Safire 0012, by Norm Architects

# Androgyne Dining Table, Rectangular 210 x 100

BY DANIELLE SIGGERUD

## TECHNICAL SPECIFICATIONS

**PRODUCT TYPE**  
Dining table

**COLLI**  
1

**ENVIRONMENT**  
Indoor

**DIMENSIONS**  
H: 73 cm / 28,7"  
W: 210 cm / 82,7"  
D: 100 cm / 43,3"

**PRODUCTION PROCESS**  
CNC-cut and hand-polished stone or CNC-cut MDF with oak veneer. CNC-cut steel fitting with powder coated finish.

**COLOUR**  
Natural oak  
Dark stained oak

**GLOSS**  
N / A

**MATERIALS**  
Natural and dark stained oak veneer, MDF, powder coated steel, PA plast glides.

**WEIGHT**  
Tabletop: N / A  
Base: N / A

**TEST**  
N / A

**CERTIFICATIONS**  
TSCA title VI compliant

### PACKAGING TYPE

**Tabletop**  
Brown box

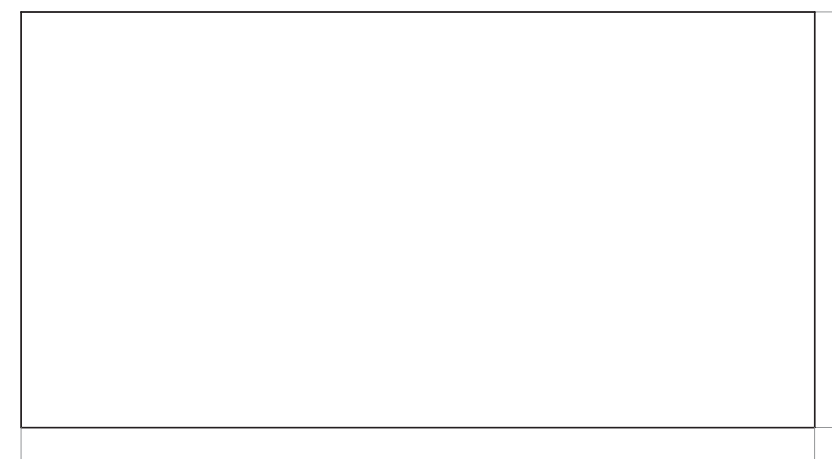
**Base**  
Brown box

### PACKAGING MEASUREMENTS (H x W x D)

**Tabletop**  
N / A

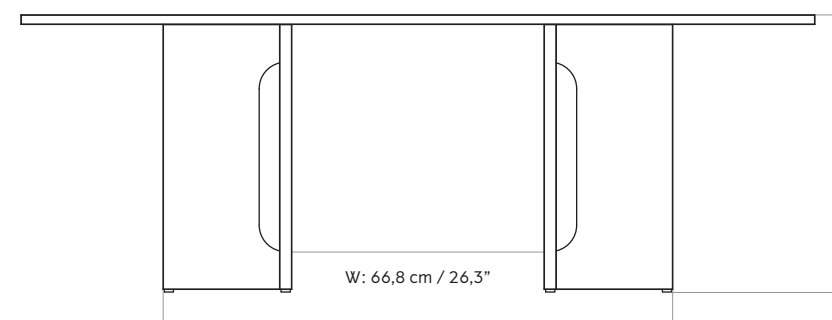
**Base**  
N / A

**MATERIALS & MAINTENANCE**  
Please visit [menuspace.com](https://www.menuspace.com) for materials and care and maintenance instructions.



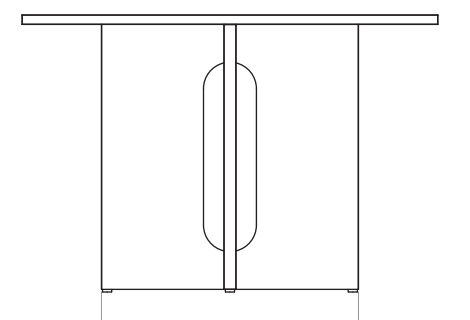
W: 210 cm / 82,7"

D: 110 cm / 43,3"



W: 134,8 cm / 53,1"

H: 73,5 cm / 28,9"



D: 68 cm / 26,8"

# Androgyne Dining Table, Rectangular 280 x 110

BY DANIELLE SIGGERUD

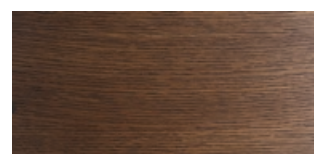
The Androgyne Collection pairs natural materials and sculptural forms to striking effect, taking its name from its blend of the masculine and feminine. A bold, confident take on a table, the rectangular iteration amplifies the dimensions of the collection's dining table to grander proportions. The architect-designed piece, crafted with a wood veneer top and base, serves as a community-style table, with room to seat from 8-10 individuals. Available in 210 cm and 280 cm, its artistic silhouette balances function and beauty.

## PRODUCT OPTIONS

### TABLETOP



NATURAL OAK



DARK STAINED OAK

### OAK BASE



NATURAL OAK



DARK STAINED OAK

Androgyne Dining Table, Rectangular 210 x 100, Natural Oak, by Danielle Siggerud  
 Harbour Dining Chair, Dark Stained Oak / Moss 004, by Norm Architects  
 Stackable Glasses, by Norm Architects  
 Bottle  
 Water Bottle, 0,5 L, ClearGlass/Brass, by Norm Architects



# Androgyne Dining Table, Rectangular 280 x 110

BY DANIELLE SIGGERUD

## TECHNICAL SPECIFICATIONS

**PRODUCT TYPE**  
Dining table

**COLLI**  
1

**ENVIRONMENT**  
Indoor

**DIMENSIONS**  
H: 73 cm / 28,7"  
W: 280 cm / 110,2"  
D: 110 cm / 43,3"

**PRODUCTION PROCESS**  
CNC-cut and hand-polished stone or CNC-cut MDF with oak veneer. CNC-cut steel fitting with powder coated finish.

**COLOUR**  
Natural oak  
Dark stained oak

**GLOSS**  
N / A

**MATERIALS**  
Natural and dark stained oak veneer, MDF, powder coated steel, PA plast glides.

**WEIGHT**  
Tabletop: N / A  
Base: N / A

**TEST**  
N / A

**CERTIFICATIONS**  
TSCA title VI compliant

### PACKAGING TYPE

**Tabletop**  
Brown box

**Base**  
Brown box

### PACKAGING MEASUREMENTS (H x W x D)

**Tabletop**  
N / A

**Base**  
N / A

**MATERIALS & MAINTENANCE**  
Please visit [menuspace.com](https://www.menuspace.com) for materials and care and maintenance instructions.

