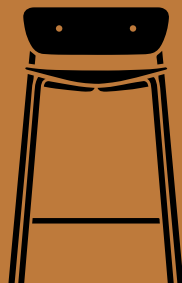


Pavilion AV7, AV8 & AV14

Anderssen & Voll

2018





AV7 & AV8

Recycling & Disassembly

Pavilion^{AV7 & AV8}

RECYCLING

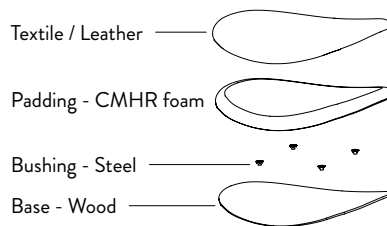
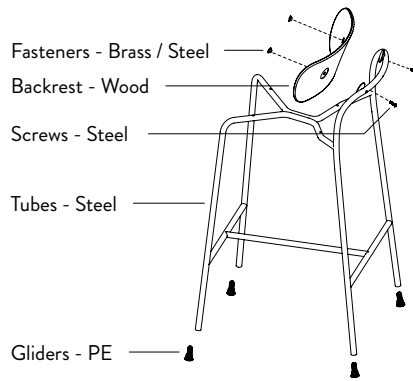
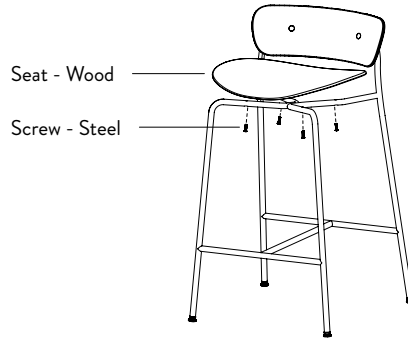
The Pavilion chair is built to last, and we hope that your Pavilion will serve you for many years. The chair is made from wood veneer & powder coated steel, and can be easily separated from its base. All metal and wooden parts can be separated and delivered to a suitable recycling station.

SPARE PARTS

To purchase spare parts for your Pavilion chair, please write to our sales support team at info@andtradition.com with your query.

5 YEAR WARRANTY

&Tradition provides a 5-year warranty with every Pavilion chair, which covers faults which were present at the time of purchase, or which have occurred as a result of a manufacturing defect. The warranty is valid from the date stated on the original invoice.



DISASSEMBLY

Disassembling of Pavilion counter and bar chair

1. Unscrew the screws underneath the chair to remove the seat.
2. Unscrew the screws behind the back of the chair, to remove the backrest and fasteners.
3. Remove the gliders.

Disassembling of upholstered seat (AV8 only)

Remove the textile, padding and bushings from the wooden base of the seat.



AV14

Recycling & Disassembly

Pavilion^{AV14}

RECYCLING

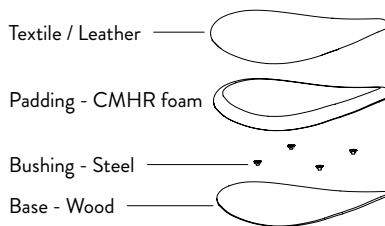
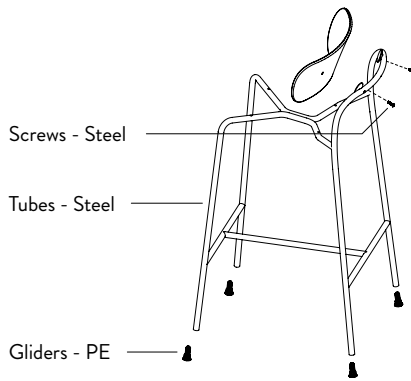
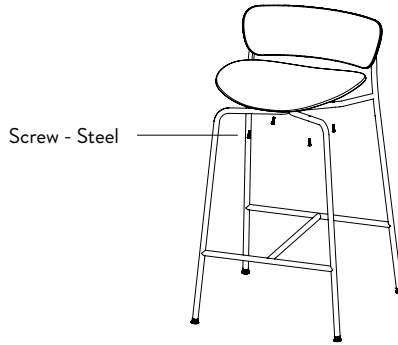
The Pavilion chair is built to last, and we hope that your Pavilion will serve you for many years. The chair is made from wood veneer & powder coated steel, and can be easily separated from its base. All metal and wooden parts can be separated and delivered to a suitable recycling station.

SPARE PARTS

To purchase spare parts for your Pavilion chair, please write to our sales support team at info@andtradition.com with your query.

5 YEAR WARRANTY

&Tradition provides a 5-year warranty with every Pavilion chair, which covers faults which were present at the time of purchase, or which have occurred as a result of a manufacturing defect. The warranty is valid from the date stated on the original invoice.



DISASSEMBLY

Disassembling of Pavilion counter and bar chair

1. Unscrew the screws underneath the chair to remove the seat.
2. Unscrew the screws behind the back of the chair, to remove the backrest.
3. Remove the gliders.

Disassembling of upholstered seat & backrest

1. Remove the textile, padding and bushings from the wooden base of the seat.
2. Do the same with the backrest of the chair.



D: 48cm / 18.9in



W: 50cm / 19.7in
Seating H: 65cm / 25.6in

H: 85cm / 33.5in

Pavilion^{AV7} Anderssen & Voll 2018

Product category

Counter chair

Environment

Indoor

Material

Steel tubes and formpressed veneer.

This product has not been treated with any biocides.

Production process

The counter chair is made from bend steel tubes and formpressed veneer. The veneer back and seat are finished with a PU lacquer

Dimensions

H: 85cm / 33.5in, D: 48cm / 18.9in,

W: 50cm / 19.7in, Seat height: 65cm / 25.6in

Package dimensions

H: 97cm / 38.2in, D: 51cm / 20.1in, L: 53cm / 20.9in

Colli quantity

1 pc

Weight

Product: 5.0 kg / Incl.packaging: 7 kg

Base finishes

Black

→ Stock item

Lacquered Oak, Black Lacquered Oak, Lacquered Walnut

Gliders

Plastic gliders installed as standard.

Felt gliders available upon request (6-8 weeks lead time)

Fittings

Black fittings for the front side of the back rest installed as standard. Brass fittings available upon request (6-8 weeks lead time)

Strength, Durability and Safety Testing

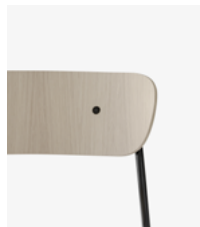
The chair is tested for strength, durability and safety according to; EN 16139 Level 2 – Extreme use.

Manufacturer

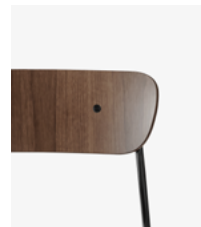
Produced in Latvia by Kvist Industries A/S

Cleaning Instructions

Please download our Material Care & Cleaning Instructions through www.andtradition.com



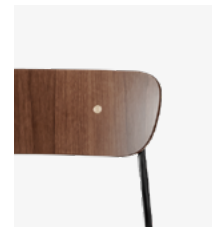
→Lacquered oak



→Lacquered walnut

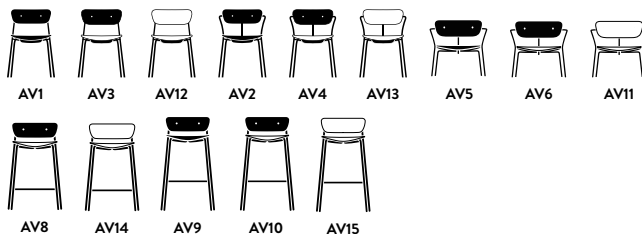


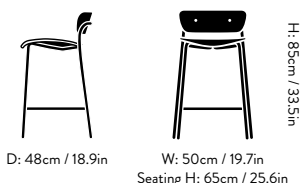
→Black lacquered oak



Brass fitting

Related products





Pavilion^{AV8} Anderssen & Voll 2018

Product category

Counter chair

Environment

Indoor

Material

Steel tubes, formpressed veneer, HR foam, fabric or leather upholstery.

This product has not been treated with any biocides.

Production process

The chair is made from bend steel tubes and formpressed veneer. The veneer back is finished with a PU lacquer. The seat is covered with HR foam and upholstery for superior comfort.

Dimensions

H: 85cm / 33.5in, D: 48cm / 18.9in,

W: 50cm / 19.7in, Seat height: 65cm / 25.6in

Package dimensions

H: 97cm / 38.2in, D: 51cm / 20.1in, L: 53cm / 20.9in

Weight

Product: 5.0 kg / Incl.packaging: 8 kg

Colours

Lacquered Oak, Black Lacquered Oak and Lacquered Walnut. Available in variety of fabrics and leather.

Base finishes

Black

Fittings

Black fittings for the front side of the back rest installed as standard. Brass fittings available upon request (6-8 weeks lead time).

Gliders

Plastic gliders installed as standard. Felt gliders available upon request (6-8 weeks lead time).

COM - Material Consumption

Fabric usage: 0.45 meters based on 140cm roll.

Leather usage: 0.55 square meters. COM must be approved by &Tradition to ensure suitability for upholstery on the chair.

Strength, Durability and Safety Testing

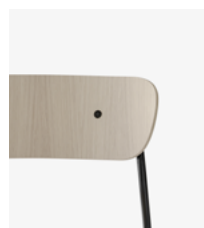
The chair is tested for strength, durability and safety according to; EN 16139 Level 2 – Extreme use.

Manufacturer

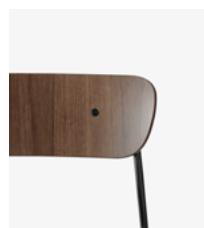
Produced in Latvia by Kvist Industries A/S

Cleaning Instructions

Please download our Material Care & Cleaning Instructions through www.andtradition.com



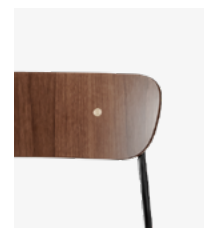
Lacquered oak



Lacquered walnut

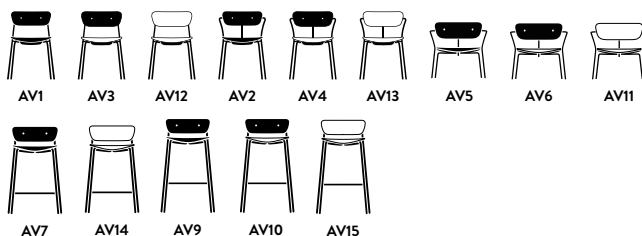


Black lacquered oak



Brass fitting

Related products





D: 48cm / 18.9in



W: 50cm / 19.7in
Seating H: 65cm / 25.6in

H: 85cm / 33.5in

Pavilion^{AV14} Anderssen & Voll 2018

Product category
Counter chair

Environment
Indoor

Material
Steel tubes, formpressed veneer, HR foam, fabric upholstery.
This product has not been treated with any biocides.

Production process
The Pavilion counter chair is made from bend steel tubes and formpressed veneer. The seat is covered in HR foam for comfort with a fabric or leather upholstery.

Dimensions
H: 85cm / 33.5in, D: 48cm / 18.9in,
W: 50cm / 19.7in, Seat height: 65cm / 25.6in

Package dimensions
H: 97cm / 38.2in, D: 51cm / 20.1in, L: 53cm / 20.9in

Colli quantity
1 pc

Weight
Product: 5.0 kg / Incl.packaging: 8 kg

Base finishes
Black

Gliders
Plastic gliders installed as standard. Felt gliders available upon request (6-8 weeks lead time).

COM - Material Consumption
Fabric usage: 0.8 meter based on a 140cm roll.
COM must be approved by &Tradition to ensure suitability for upholstery.

Strength, Durability and Safety Testing
The chair is tested for strength, durability and safety according to; EN 16139 Level 2 – Extreme use.

Manufacturer
Produced in Latvia by Kvist Industries A/S

Cleaning Instructions
Please download our Material Care & Cleaning Instructions through www.andtradition.com



Related products

