

SUPEROBLONG BED

Jasper Morrison

cappellini



The famous and much imitated sofa designed by Jasper Morrison gives rise to an Italian bed available in various sizes and finishes. The soft cushion/backrest as well as ensuring good comfort characterize the design simple, rigorous and timeless of this great designer.

Materials used

Structure:

Metal, poplar plywood and medium-density fibre panels

Padding:

Multi-density polyurethane foam, fibre and feather, with cover removable in fabric, leather G or Extra G2

Hinges:

Available in white, beige, blue, fuchsia, brown, black, red, turquoise or green.

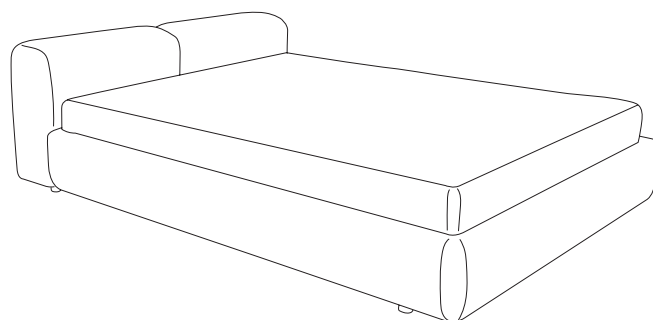
Feet:

Adjustable central feet in black varnished metal

Fixed bedstead:

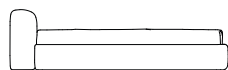
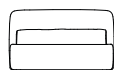
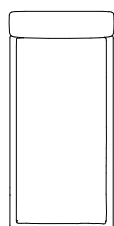
Beech plywood with slats

On request, an adjustable slat bedstead with manual movement is available with a price increase



Dimensions

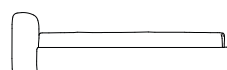
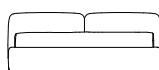
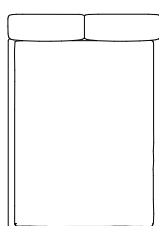
SB_100



112
44" 238
93 3/4"

30
11 3/4" 68
26 3/4"

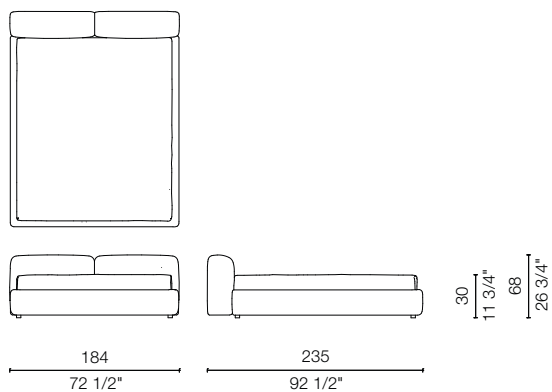
SB_152



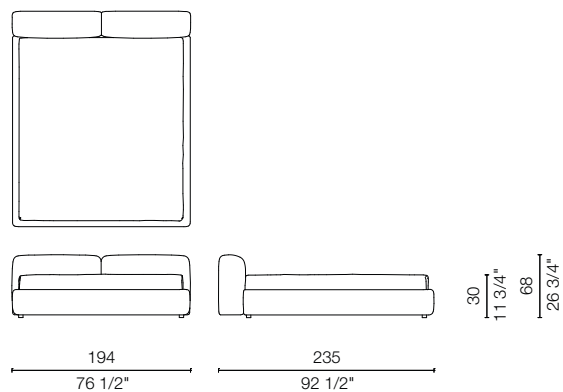
166
65 1/4" 238
93 3/4"

30
11 3/4" 68
26 3/4"

SB_170



SB_180



SB_193

