

# BIS, TRIS

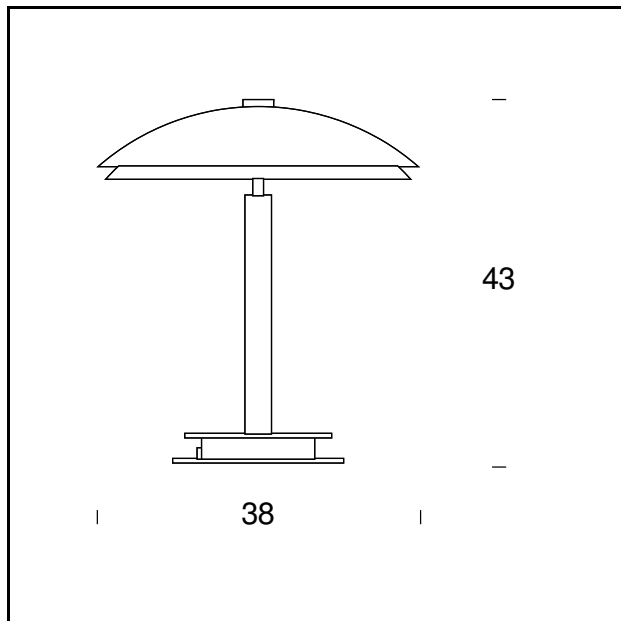
Historical Archive, 1954

Designed in 1954, the Bis and Tris table lamps still feature their contemporary shape, both for the version with polished brass frame and bowl in black opal glass (Bis) and also for the one with chromed metal frame and bowl in sandblasted glass painted white inside (Tris).



**TECHNICAL SHEET**

Table lamp. Lower diffuser in white sandblasted glass. BIS, polished brass frame. Bowl in black opaline glass, sandblasted and black interior finish. TRIS, chromed metal frame. Glass bowl, sandblasted and white interior finish. Black power cable, plug and switch.



**MODEL NAME:** Bis

**CODE:** 2280/Bis

**DIMENSIONS:** Ø 38 x 43 cm

**MATERIALS:** Glass, metal

**COLORS**

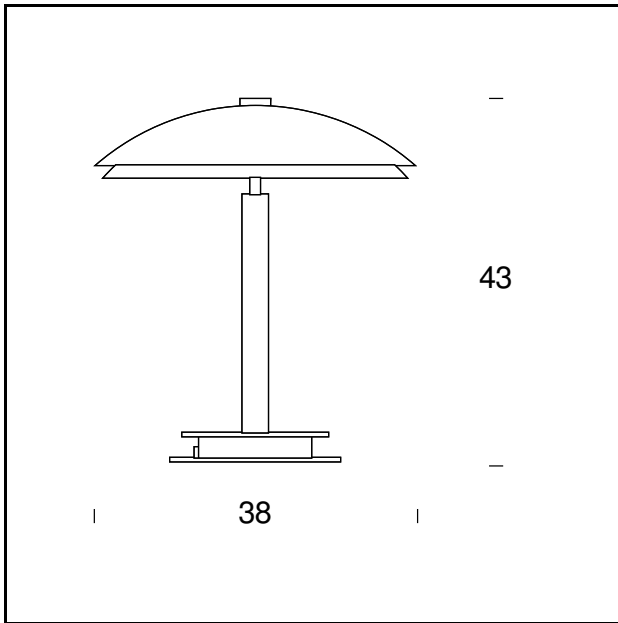
● Black

**BULB:** 4x28W (HA) Eco Saver E14

**PLUG:** Black

**POWER CORD:** Black

**CERTIFICATIONS AND SYMBOLS:**



**MODEL NAME:** Tris

**CODE:** 2280/Tris

**DIMENSIONS:** Ø 38 x 43 cm

**MATERIALS:** Glass, metal

**COLORS**

White

**BULB:** 4x28W (HA) Eco Saver E14

**PLUG:** Black

**POWER CORD:** Black

**CERTIFICATIONS AND SYMBOLS:**

CE EAC IP20 *Classe II*

Subject to technical modifications and modifications to content