

62 Desk

Designed by Greta M. Grossman - 1952



ITEM NUMBER

10137

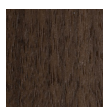
DESCRIPTION

Designed in 1952 by Greta M. Grossman, but named the 62 Sideboard as it was deemed to be ten years ahead of its time. The sideboard illustrates the designer's penchant for exceptional shapes and unusual pairing of materials. The slender metal legs with ball-shaped feet, a characteristic trait of Grossman, contrasts the sharp rectangular shape in luxurious American walnut, giving the furniture a characteristic appearance of lightness and almost seeming to defy gravity. Adding to its elegance, the sideboard is provided with a deep, black full gloss finish on the tabletop and small solid wooden spheres.

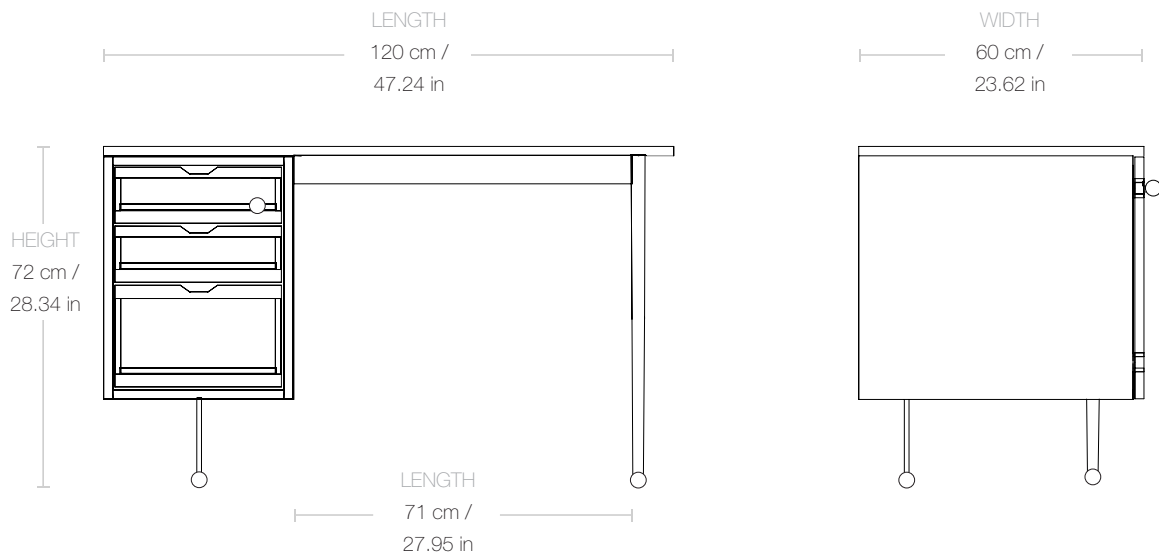
Materials & Finishes

MAIN MATERIAL

American Walnut Semi Matt



Dimensions



LENGTH	120 cm / 47.24 in
WIDTH	60 cm / 23.62 in
HEIGHT	72 cm / 28.34 in
TABLETOP THICKNESS	2 cm / 0.78 in

Weight

TOTAL WEIGHT	50kg / 176.4 lbs
--------------	------------------

Packaging

NUMBER OF PARCELS	1
PACKAGING LENGTH	128 cm / 50.39 in
PACKAGING WIDTH	69 cm / 27.16 in
PACKAGING HEIGHT	88 cm / 34.64 in
PACKAGING WEIGHT	5 kg / 11.02 lbs
GROSS WEIGHT	55 kg / 121.27 lbs