

BERT | FRANK



COLT

# COLT SINGLE PENDANT

Crafted from heavyweight, machined brass. Sleek slotted diffuser casts soft light to ceiling and floor. Extremely versatile, with an integral LED light source.



## PRODUCT CODE

CLT0010 - Colt Single Pendant

## MATERIALS

Brass

## FINISHES

Brushed brass lacquered as standard  
Custom finishes available

## DIMMING

Mains dimmable / TRIAC as standard  
DALI / 1-10v available - requires external driver

## LIGHT SOURCE

1x LED Module - 15.5W 24V 2700K

## DRIVER

**230V** - 1 x 20W LED Integrated driver

**110V** - 1 x 30W LED External driver

## WEIGHT

4.5kg net, 5.5kg gross

## CEILING CANOPY

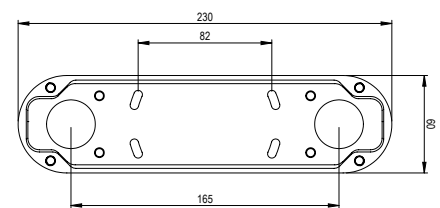
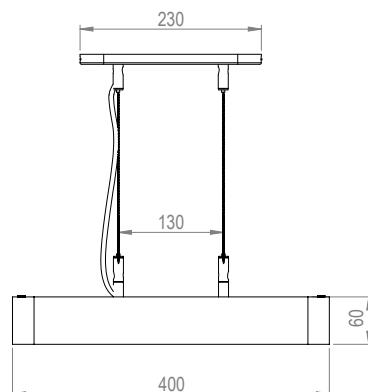
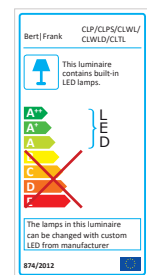
1 x Brushed brass canopy - 230 H x 60 W  
brushed brass 4in J-box plate available

## SUSPENSION

200cm Adjustable steel suspension cable with  
clear electrical cord as standard  
Additional length available  
Custom cord available

## DESIGN NOTES

Depending on environment and décor, Colt can look super-sleek and sophisticated or approaching heavy metal brutalist. It always likes to take centre stage.



CEILING PLATE

