

BASKET

Ronan and Erwan Bouroullec

cappellini

Collection of seating elements made of a two or three seat sofa and a big armchair with visible metal structure. Removable-cover in fabrics and leathers of the collection.



Used materials

Structure:

1. Metal frame matte lacquered with epoxy powder in these colours: white RAL 9010, red RAL 3013, grey RAL 7039, black RAL 8022. With elastic belts.

Structure back/seat cushions and armrest:

2. Multi-density polyurethane foam and acrylic fiber.

Loose back cushions and armrest:

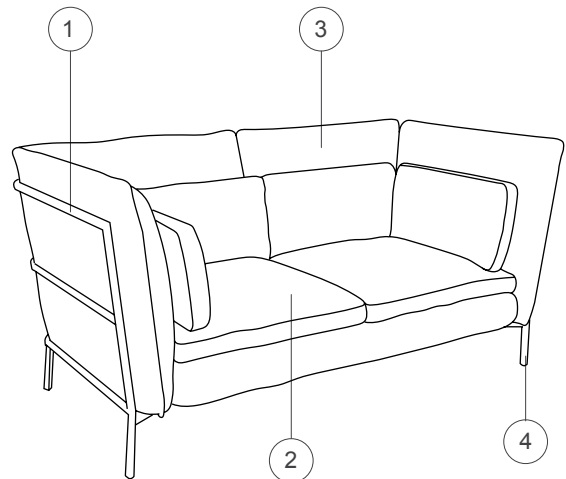
3. Multi-density polyurethane foam and acrylic fiber.

Cover:

Removable cover in fabrics and leathers of the collection.

Feet:

4. White plastic on white structure and in black plastic on colored structures.



Dimensions

BKT1



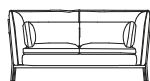
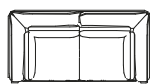
110
43 1/4"

90
35 1/2"

44
17 1/4"

82
32 1/4"

BKT2



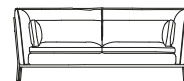
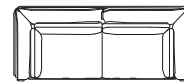
190
74 3/4"

90
35 1/2"

44
17 1/4"

82
32 1/4"

BKT3



110
43 1/4"

90
35 1/2"

44
17 1/4"

82
32 1/4"

