

# FRONZONI '64

A.G.Fronzoni

cappellini



Armchair with white or anthracite matt lacquered metal structure, springy on wooden slats. Seat and cushions upholstered in polyurethane foam and removable cover in white or black cotton, synthetic leather (Ecopelle) or leather.

## Materials used\_

### Structure:

1. Square metal section, finishing in matt lacquer white or anthracite

### Cushion padding:

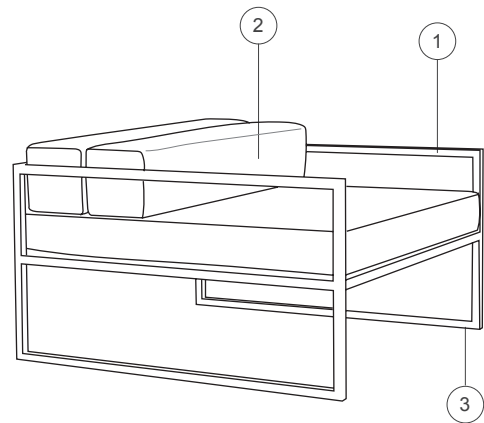
2. Polyurethane foam, with cover removable in Ecoleather white B08 or black B34, Coton white 139 or black 140, Leather G white 900 or black 908

### Springing system:

Covered tulipier slats

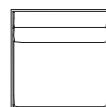
### Feet:

3. Black rubber tips



## Dimensions\_

### FR41



42  
16 1/2" 62  
24 1/2"

100  
39 1/4"

100  
39 1/4"

