

IMPROVE YOUR HOME & IMPROVE OUR WORLD

ZANAT

BOSCA LINE
Touch Bench





Touch Bench

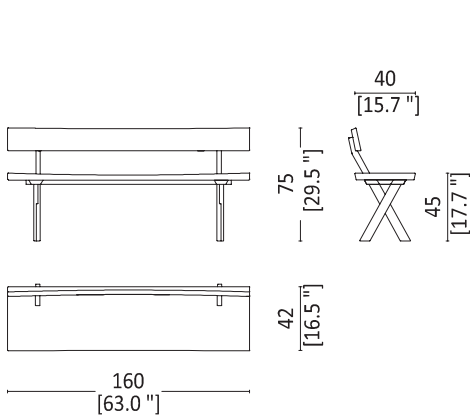
Designed by Studioilse

To touch is both to feel physically and sense emotionally. *Touch* is a collection of universal benches and other objects. Their special quality lies in the hand-carved surfaces that engage our instinctive impulse to feel something, and reflect our hunger for more tactile surroundings in the digital age. The benches are hand-made in Bosnia Herzegovina using Zanat's wood carving skills, current nominee for the UNESCO Intangible Cultural Heritage of Humanity List. The carvings on the benches take two man-days to execute and – since the craftsmen carve the pieces at random, without drawings – each bench is unique as no two carved surfaces will ever look the same.

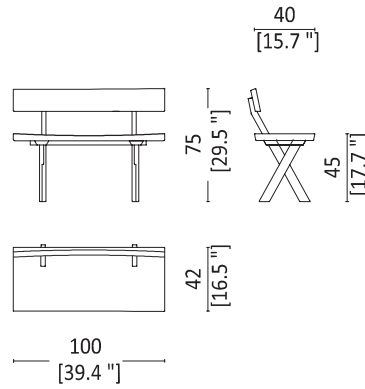
Touch Bench is available in wood or cast bronze legs (without backrest).



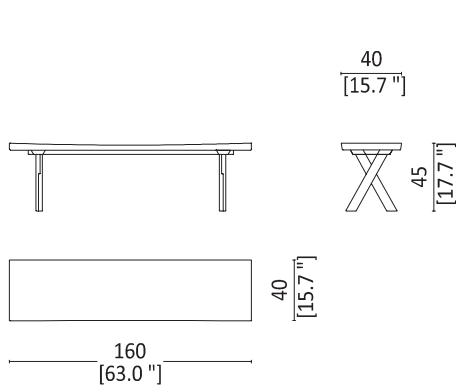
BENCH WITH BACKREST LONG (WOOD LEGS ONLY)



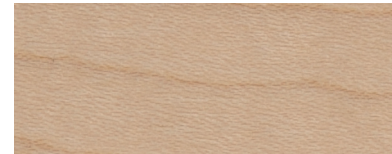
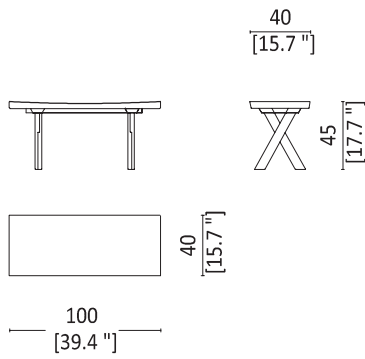
BENCH WITH BACKREST SHORT (WOOD LEGS ONLY)



BENCH LONG (WOOD OR BRONZE LEGS)



BENCH SHORT (WOOD OR BRONZE LEGS)

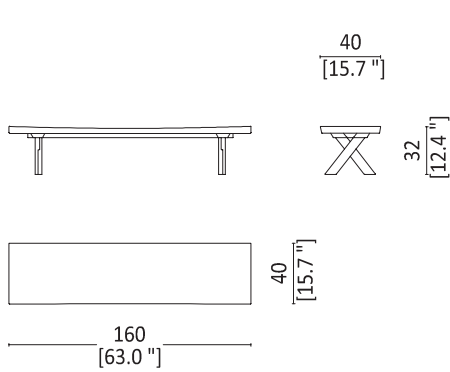


Maple

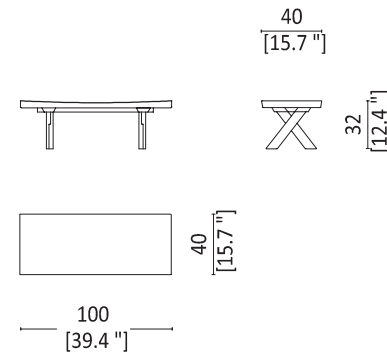


Oak

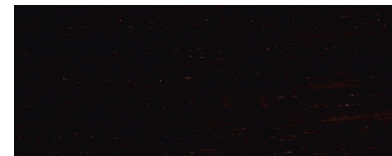
BENCH LONG LOW (WOOD OR BRONZE LEGS)



BENCH SHORT LOW (WOOD OR BRONZE LEGS)



Steamed Walnut



Maple Black Stain

Standard versions of Touch benches are finished in oil (pigmented white oil for maple and oak) and are also available in black stain. Different finishes and wood species may be available upon request.

IMPROVE YOUR HOME & IMPROVE OUR WORLD

ZANAT

info@zanat.org / sales@zanat.org
t/f +387 36 727 299 / www.zanat.org