

# PIRELLINA

Gio Ponti, 1967

Pirellone and Pirellina have been lighting classics for 40 years. Two pieces of curved glass held in place by metal elements at the base and the top: the secret of this simple structure lies in the use of special impact-resistant glass.



## RELATED PRODUCTS

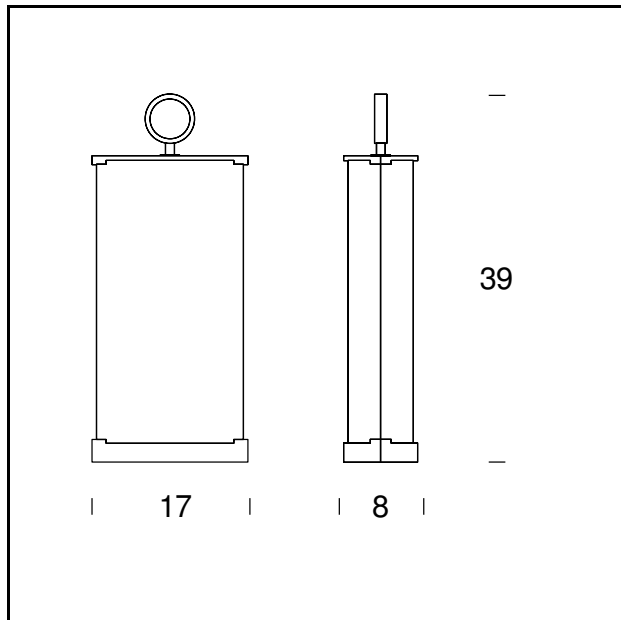


### PIRELLONE

*Floor Lamp*

## TECHNICAL SHEET

Table lamp with dimmer. Nickel-plated cast brass frame. Diffusers in curved pressed glass. Transparent power cable, dimmer and plug.



**MODEL NAME:** Pirellina

**CODE:** 2781

**DIMENSIONS:** 17 x 39 x 8 cm

**MATERIALS:** Glass

**BULB:** 4x18W (HA) Eco Saver E14

**PLUG:** Transparent

**POWER CORD:** Transparent

**DIMMER:** Dimmer

**CERTIFICATIONS AND SYMBOLS:**



Subject to technical modifications and modifications to content