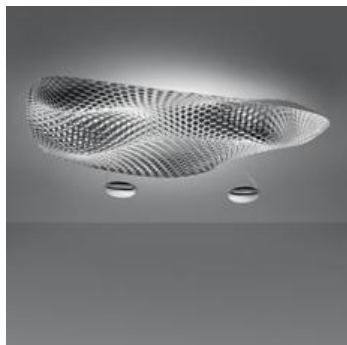


PRODUCT DATA SHEET

Cosmic Angel Ceiling



DESIGN BY:

Ross Lovegrove
2009

MATERIALS:

ABS, aluminium

DESCRIPTION:

"My concept way to freeze a moment that seemed to be created by air rolling over a thin sheet, achieving a very natural flow and rhythm in the lightweight sculptural skin. Ultimately it appears to be suspended in anti gravity on a cushion of air...like the cosmos in the complex forms and geometries that seem to defy explanation and create a sense of infinity."
Materials: body lamp - reflector made of thermoplastic material; die-cast aluminium lighting units; upper diffuser in opal methacrylate.

SELECT

FLUO - EXTRA HALO / LED

Polished chrome

PRODUCT CODE

1516010A

Light emission



IP20

Dimmable

TECHNICAL DATA SHEET

FEATURES

Product name:	Cosmic Angel Ceiling
Article Code:	1516010A
Colour:	Polished chrome
Material:	ABS, aluminium
Series:	Design, Hydro
Environment:	Indoor

OPTICS

Emission:	Indirect
-----------	----------

DIMENSIONS

Length:	cm 178
Width:	cm 80
Height:	cm 64
Impact Resistance:	N/D
Glow Wire Test:	N/D °

LAMPS INCLUDED

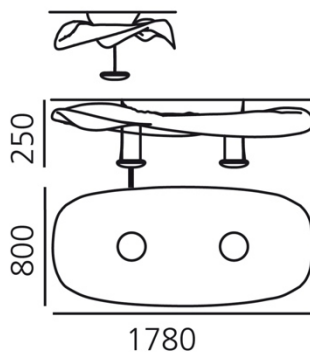
Category:	FLUO
Number:	2
Lbs:	TC-LEL(G11)
Watt:	55W
Socket:	2G11
Type:	FSDH
Colour Rendering:	85
Colour temperature (K):	3000K
Duration (h):	12000h

LAMPS NOT INCLUDED

Category:	HALO
Number:	2
Lbs:	Qt-de12
Watt:	400W
Socket:	R7s
Type:	Hdg
Luminous Flux (lm):	9000lm
Colour Rendering:	1a
Colour temperature (K):	2950K

ALTERNATIVE LAMPS

DIMENSIONS



COLOUR



LED

Category: LED
Watt: 11W
Socket: R7s
Class: A

LUMINAIR

Watt: 800W + 110W
Voltage: 220V-240V
Luminous Flux (lm): 18000+9600lm
CCT: 2950+3000K