

FRONZONI '64

A.G.Fronzoni

cappellini



Chair designed in 1964, made of metal square tube with seat in lacquered wood. Available matt lacquered in white or anthracite.

Used materials

Seat:

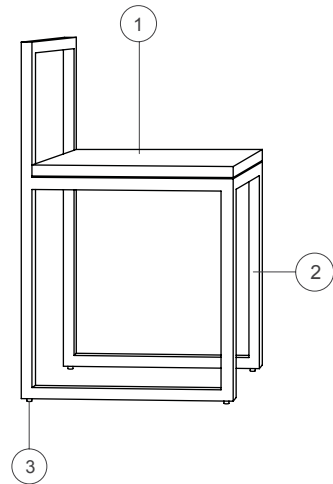
1. Panel conglomerate fiber medium density wood, matt lacquered in white or anthracite

Base:

2. Metal pipe of square section with rectangular plate, powder-coated white or anthracite

Feet:

3. Black plastic



Dimensions

FR11

