

---

# Erica

CHAIRS

Antonio Citterio



## Description

Sofas, armchair, small armchair and chair, including a stackable version, offer a technological blend of extruded and die-cast aluminium elements. Their lightness and design makes them ideal for both public and residential settings, featuring seat and back cushions for ergonomic comfort together with strength for outdoor use. The painted frames are available in three finish combinations: white painted aluminium frame with tortora colour polypropylene fibre interlacing, tortora painted aluminium frame with tortora colour polypropylene fibre interlacing or finally anthracite painted aluminium frame with anthracite colour polypropylene fibre interlacing.

---

## Technical information

### Frame

die-cast aluminium and extrusions with polyester powder painting

### Back upholstery

polyester fibre and polyurethane combination

### Seat upholstery

shaped polyurethane, Solotex fibre and visco-elastic polyurethane combination, cover in water repellent polyester fibre (with heat-sealed ribbon)

### Interlacing

polypropylene fibre braid

### Seat webbing

polypropylene fibre and synthetic rubber threads

### Ferrules

thermoplastic material

### Waterproof cover cloth

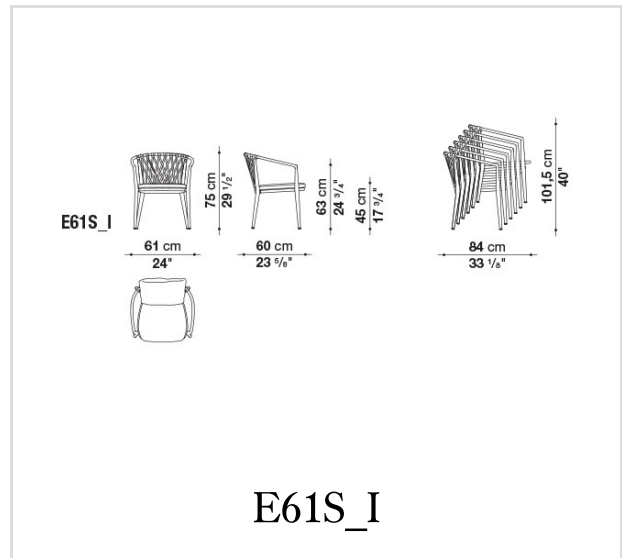
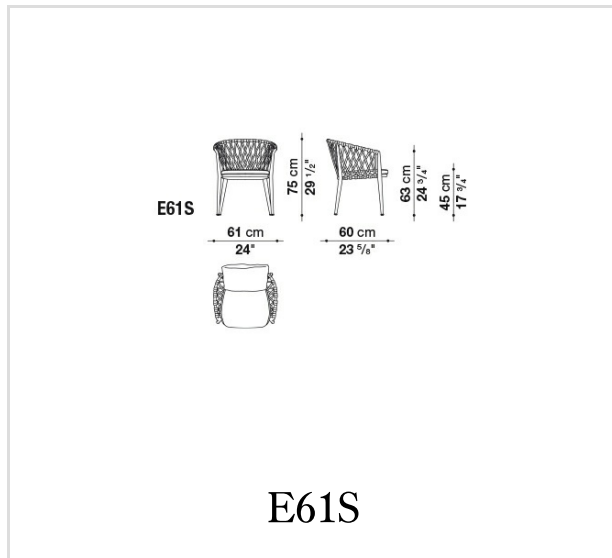
PES fabric coated on one side in PU

### Cover

fabric in limited categories

---

# Technical drawings



B&B Italia reserves the right to make technological and aesthetic improvements to its models, including changes to the sizes and materials, without notice. The technical drawings do not define the details of the product. The measurements shown are indicative and may undergo changes. In particular, the dimensions relevant to the padded parts are subject to usage tolerances over time caused by the normal adjustment of the padding. For the specific information, please contact the dealer closest to you.