

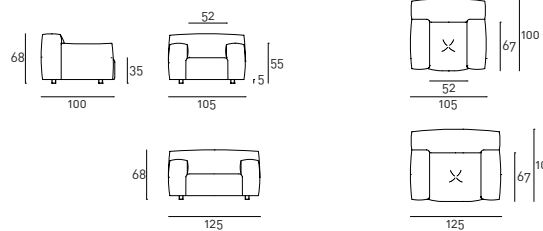
Softwall

design Piero Lissoni

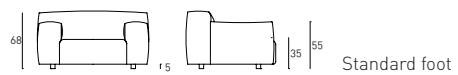
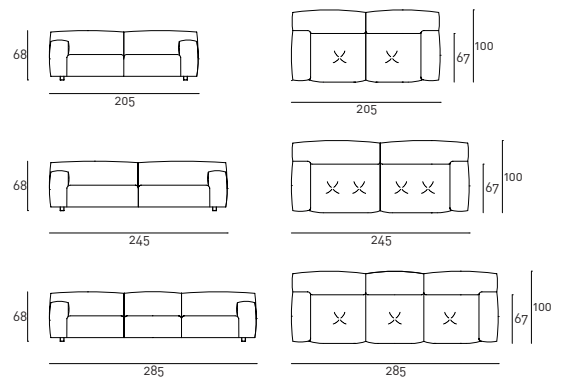
Fix or modular sofa and armchair. Base frame in lacquered steel with support in coated rubber elastic straps and felt pad to protect the seat cushion. Armrest and backrest with steel frame and elastic straps, embedded in a cold-expanded polyurethane foam structure, covered with a mat in prewashed and sterilized goose down, stitched into separate compartments. Seat cushions with preformed structure in differentiated density polyurethane foam, covered with a mat in prewashed and sterilized goose down, stitched into separate compartments. Black anodized aluminum feet, adjustable on 3 levels, from 7cm to 10cm or, on request, available with a chromed steel base. Fabric or leather upholstery, both fully removable by zippers and Velcro fastenings. Seat depth 67cm.



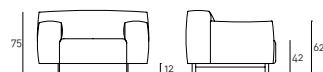
Armchairs



Sofa



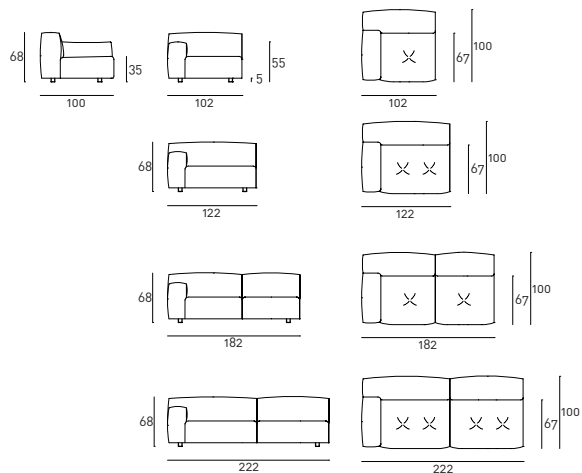
Standard foot



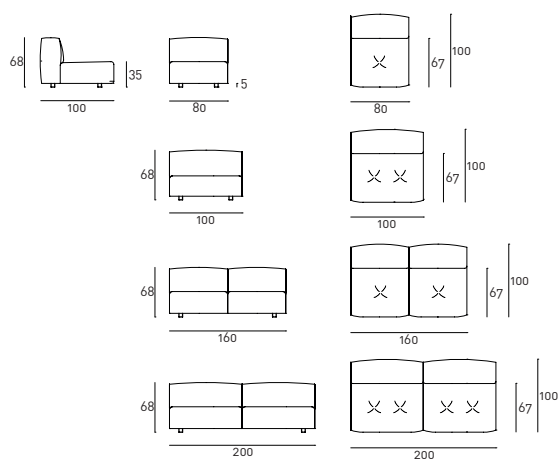
Chromed stainless steel base

Softwall
design Piero Lissoni

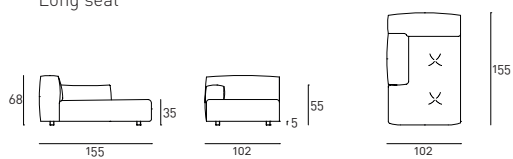
End elements



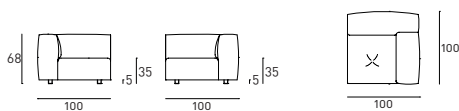
Elements without armrest



Long seat



Corner elements



Footrests

