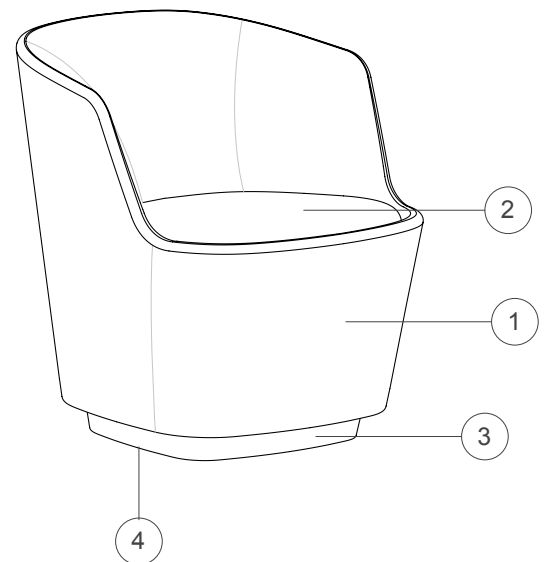




Armchair and small armchair both fixed and swivel complete the Orla upholstery collection. Suitable both for residential and contract areas. Fixed cover for the structure and removable for the cushions, in fabrics and leathers of the collection. Structure in foam and padding in polyurethane foam.

Materials used



Structure:

1. Composite rigid polyurethane with elements in poplar plywood and elastic belts. Cover fixed in fabric, leather G, leather Extra G2

Padding:

2. Multi-density polyurethane foam and fibre
Cover fixed in fabric, leather G, leather Extra G2

Base:

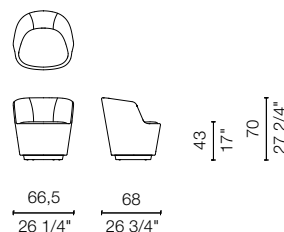
3. Medium-density wooden conglomerate panel, finishing matt lacquer black.
Also available with steel swivelling base with spring return mechanism.

Feet:

4. Black felt pads

Dimensions

ORL4



ORL4G

