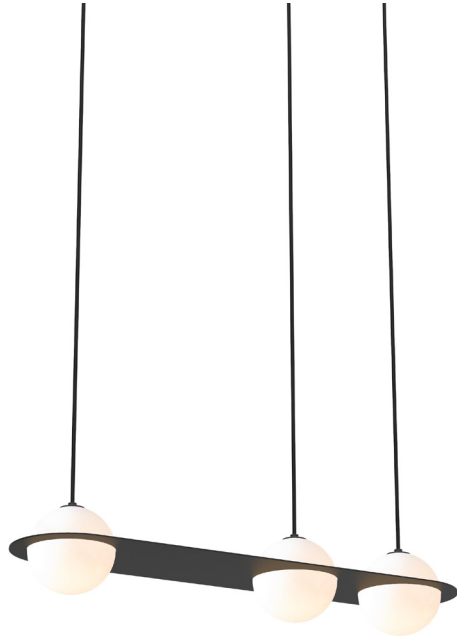


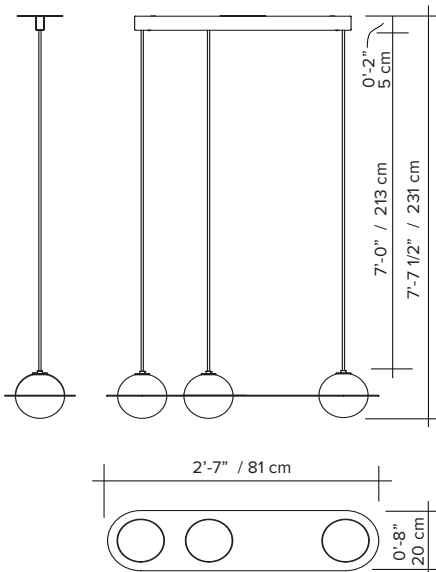


## LAURENT 07

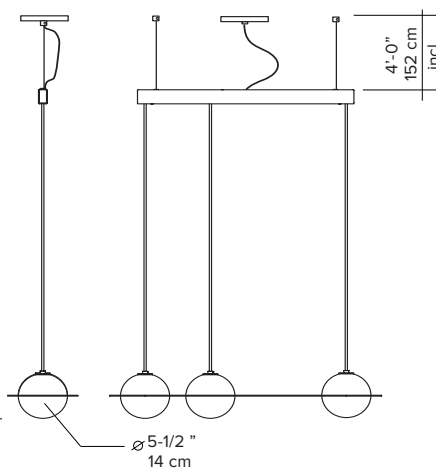


<b>type</b>	suspension	
<b>materials</b>	sphere:	handblown opaline glass
	frame:	polished brass or powder coated aluminum or nickel plated steel
<b>hardware:</b>		polished brass or powder coated aluminum
	wire:	nylon
<b>weight</b>	11,5 lb / 5 kg	
<b>light bulb</b>	LED (included), 4,5W (see lightbulb section for specifications)	
<b>sockets</b>	G9	
<b>voltage</b>	120V / 240V	
<b>dimmer</b>	refer to our recommended list of dimmer models	
<b>certifications</b>	 	
<b>notes</b>	<ul style="list-style-type: none"> <li>- must be installed by an electrician</li> <li>- additional charges for modifications or for special orders</li> <li>- lead time between 8 to 9 weeks.</li> <li>- dimensions are approximate and may vary slightly.</li> </ul>	

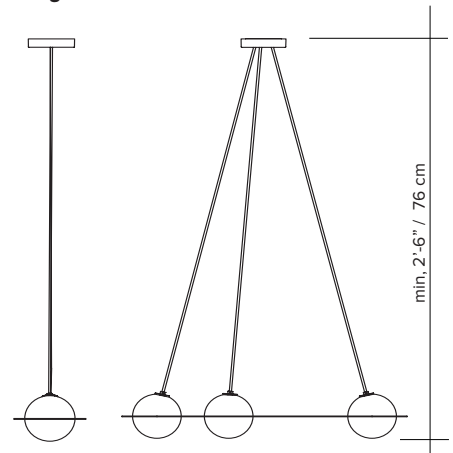
parallel wires



parallel wires with offset connection

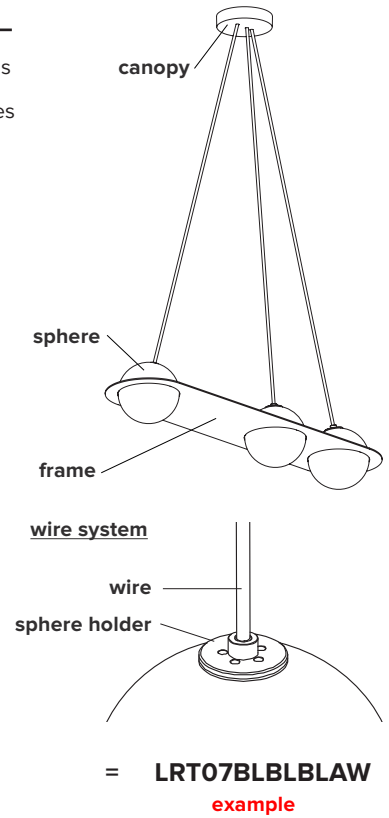


angled wires



## ORDER GUIDE: SKU

COLLECTION	MODEL	COLOUR (frame + wire system)	CANOPY	MOUNTING TYPE
LRT Laurent	07	<b>BLBL</b> black + black <b>BRBL</b> brass + black <b>BRGD</b> brass + gold <b>CHBL</b> chrome + black <b>CHBE</b> chrome + blue  <b>BEBL</b> blue + black <b>BEBE</b> blue + blue  <b>BUBL</b> burgundy + black <b>BUSA</b> burgundy + sand <b>BUBU</b> burgundy + burgundy  <b>TUBL</b> turquoise + black <b>TUSA</b> turquoise + sand	<b>BL</b> black	<b>AW</b> angled wires <b>PW</b> parallel wires
LRT	07	BLBL	BL	AW



### FRAME COLOUR



black



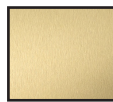
blue



burgundy



turquoise



brass



chrome

### MOUNTING COLOUR sphere holder & wires



black



blue



burgundy



sand



gold

### CANOPY COLOR



black

### MOUNTING TYPE



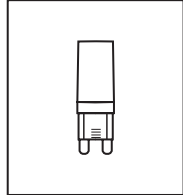
angled wires



parallel wires

## LIGHT BULB & DIMMER SPECIFICATIONS

### G9 SOCKETS



Frosted  
4.5W  
100V-120V / 240V  
450 Lumens  
2700 K  
25 000 H  
CRI ≥80  
2 years warranty



### DIMMER LIST COMPATIBILITY FOR G9 LED BULBS – 120V

The dimming technology offering the best results is ELV (electronic low voltage) dimmers with reverse phase or trailing edge control.

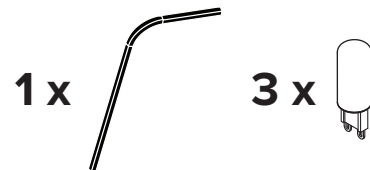
<u>DIMMER BRAND</u>	<u>MODEL NUMBER</u>	<u>MAX LEVEL</u>	<u>MIN LEVEL</u>	<u>FLICKERING</u>	<u>OVERALL QUOTE</u>
LUTRON - MAESTRO	MAELV-600	100%	0%	0%-10%	good
LUTRON - SKYLARK	SELV-300P	100%	0%	no	very good
LUTRON - SKYLARK	SELV-303P	100%	0%	no	very good
LUTRON - SKYLARK	CTELV-303P	100%	0%	no	very good
LUTRON - DIVA	DVELV-300P	100%	0%	no	very good
LEGRAND - ADORNE	TRUE UNIVERSAL	100%	30%	no	good

### DIMMER LIST COMPATIBILITY FOR G9 LED BULBS – 230V

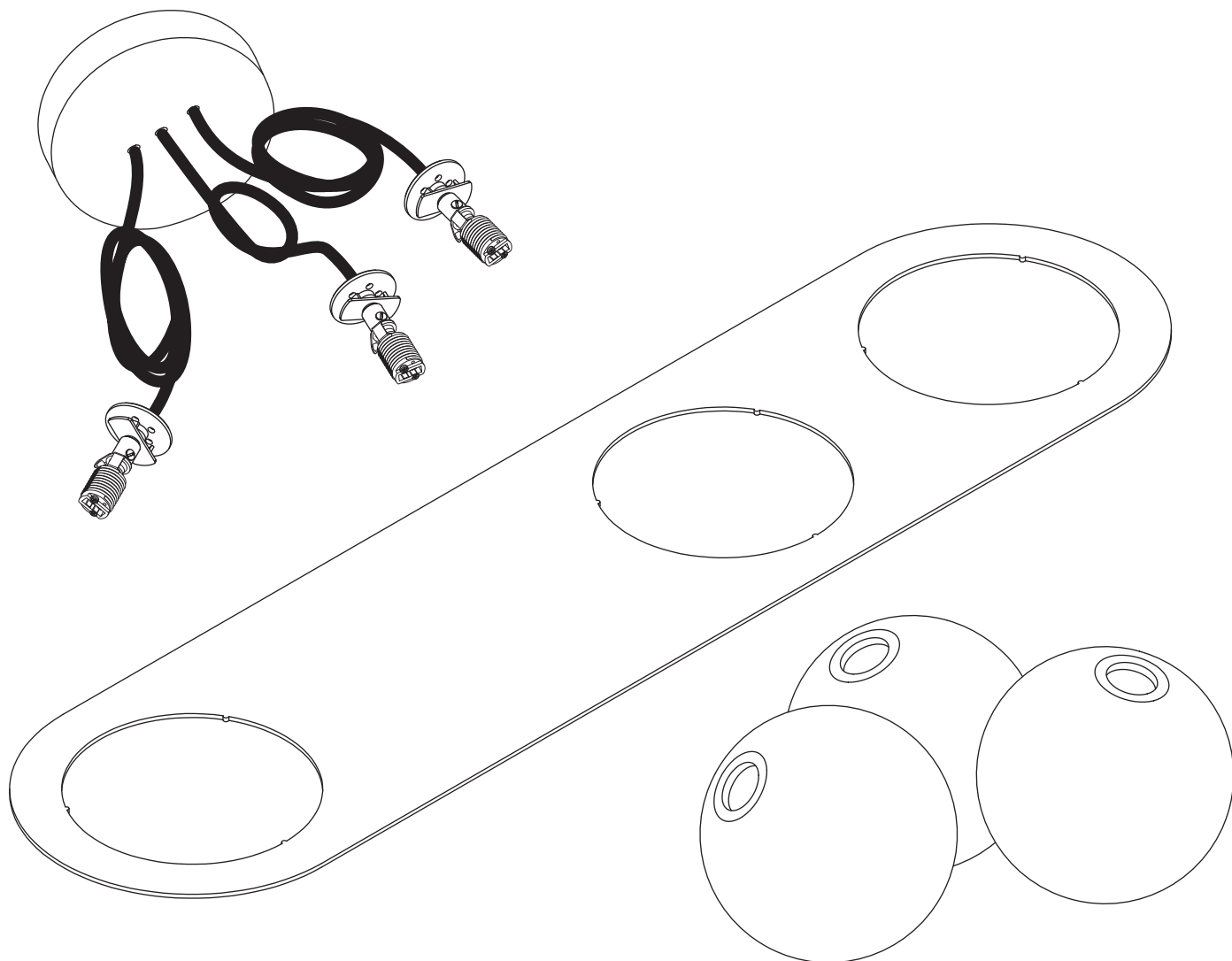
<u>DIMMER BRAND</u>	<u>MODEL NUMBER</u>	<u>MAX LEVEL</u>	<u>MIN LEVEL</u>	<u>FLICKERING</u>	<u>OVERALL QUOTE</u>
VARILIGHT	V-PRO	100%	2%	no	very good
LEGRAND - NILOÉ	3 996 35	87%	15%	no	good
NIKO	310-0280X	94%	5%	no	very good
NIKO	310-0190X	100%	1%	no	very good

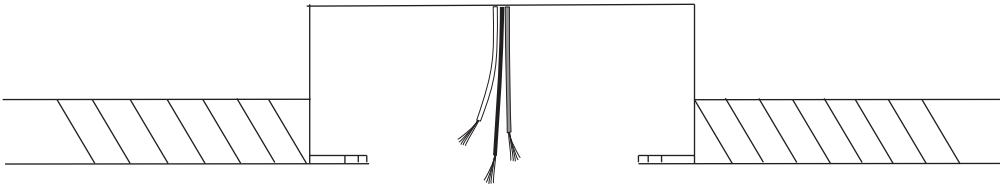
\*Other dimmers can yield good results and we recommend conducting your own test before final installation.

# LAURENT 07



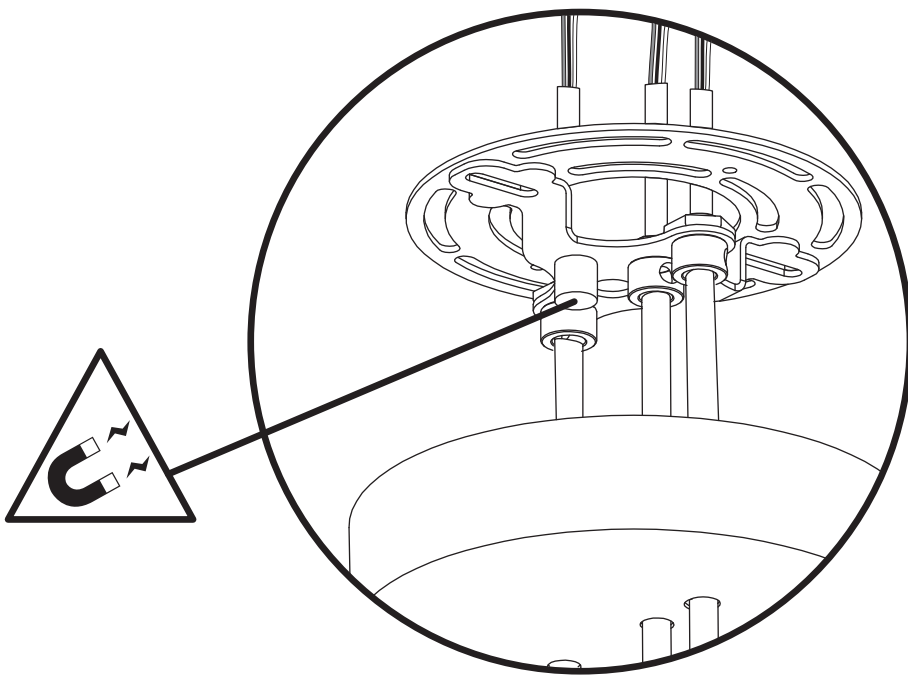
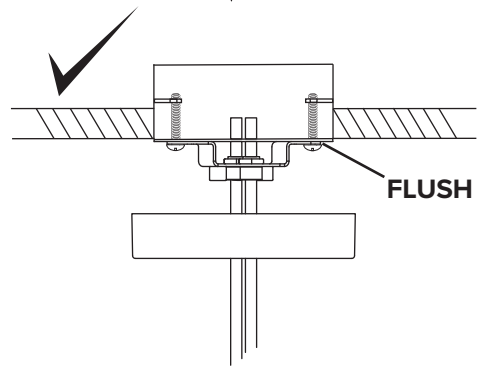
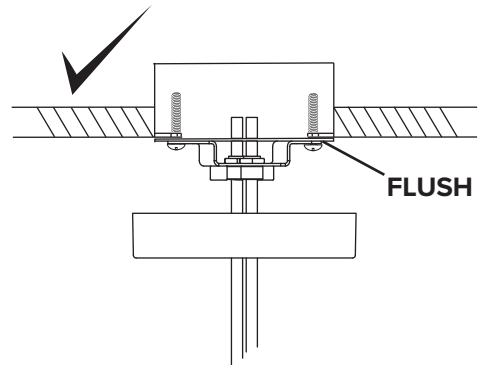
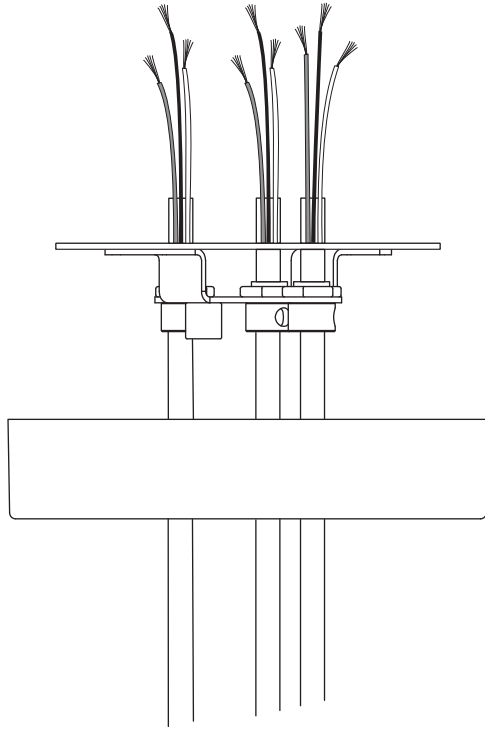
- To be installed by an electrician to an electrical box
- Use appropriate screws and anchors where necessary
- Wear enclosed gloves when handling lamp
- Handle materials with care. Please consult lamp maintenance sheet on our web site
- Should be used exclusively as a lamp and not as a shelving, display or hanging unit

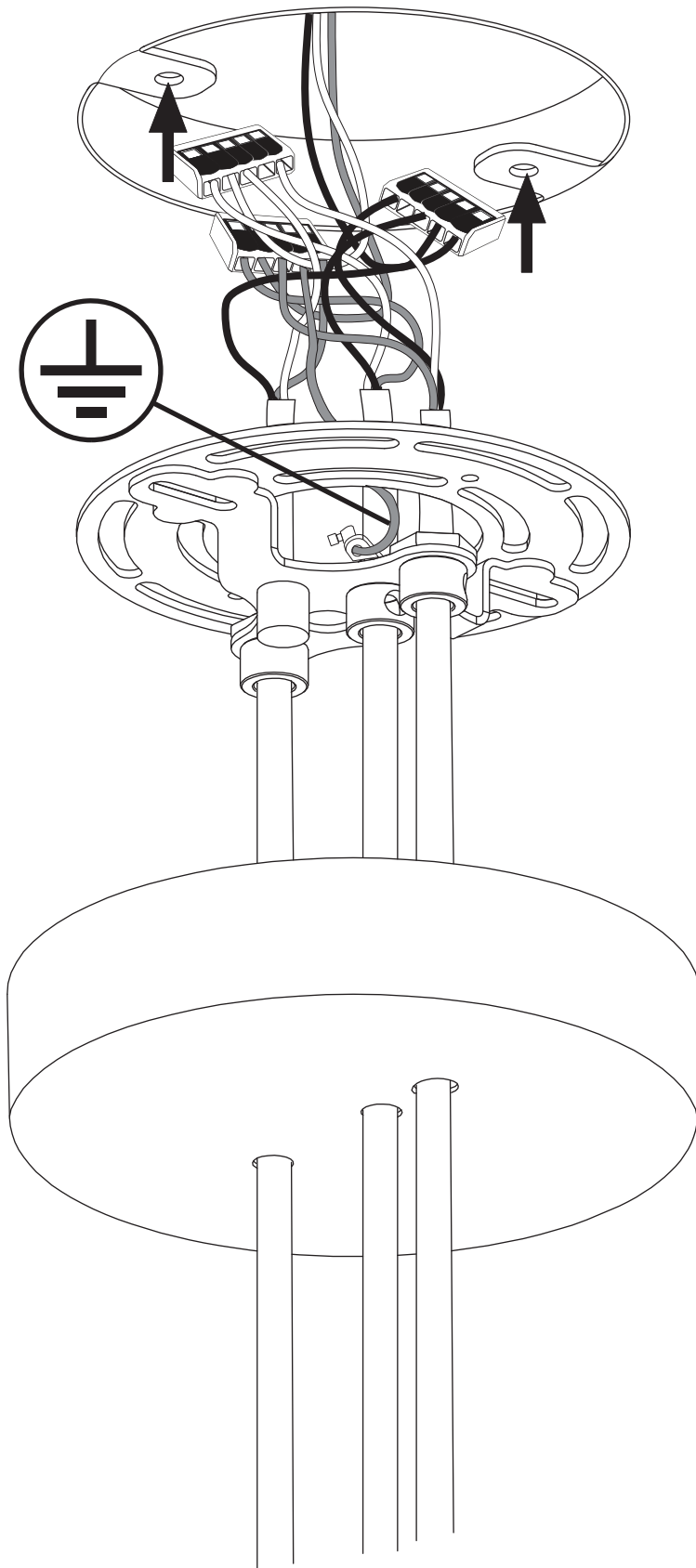





# CONNECTION

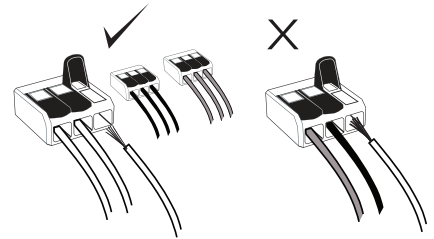
1

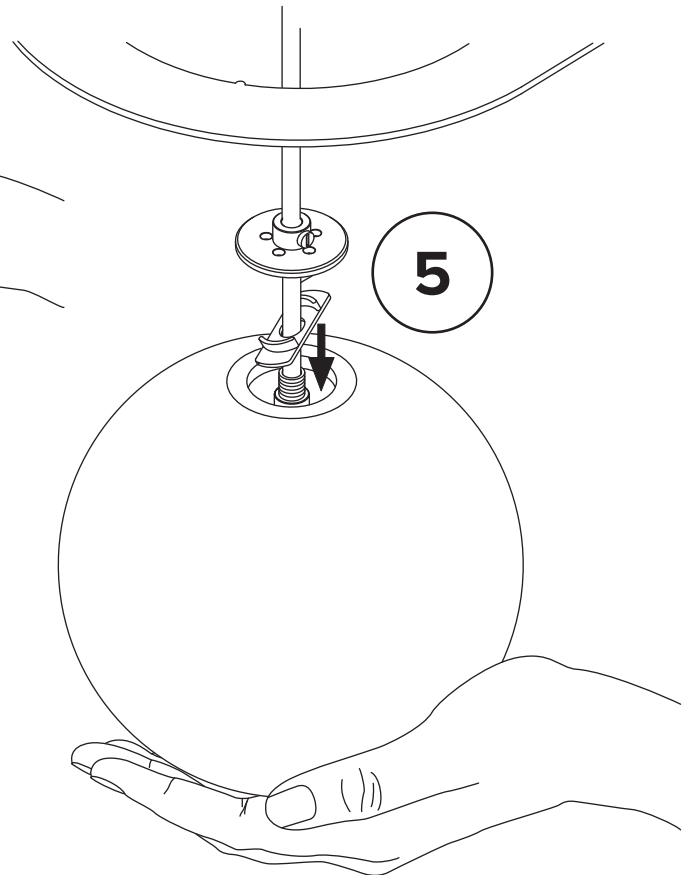
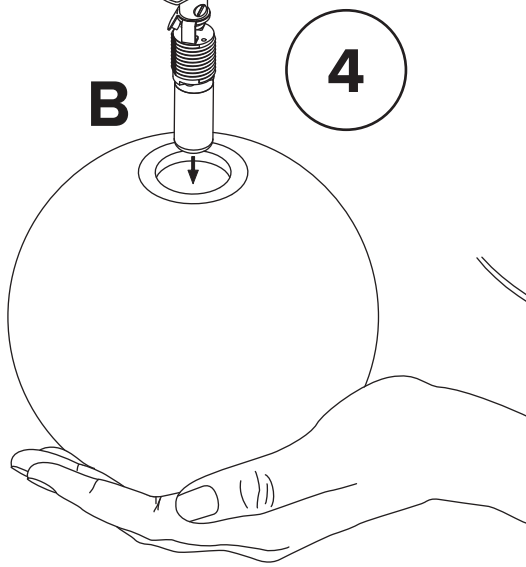
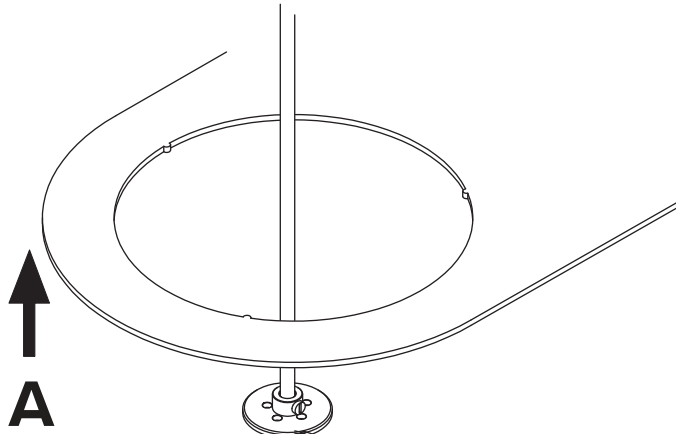
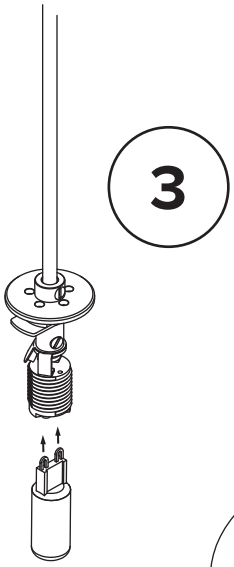


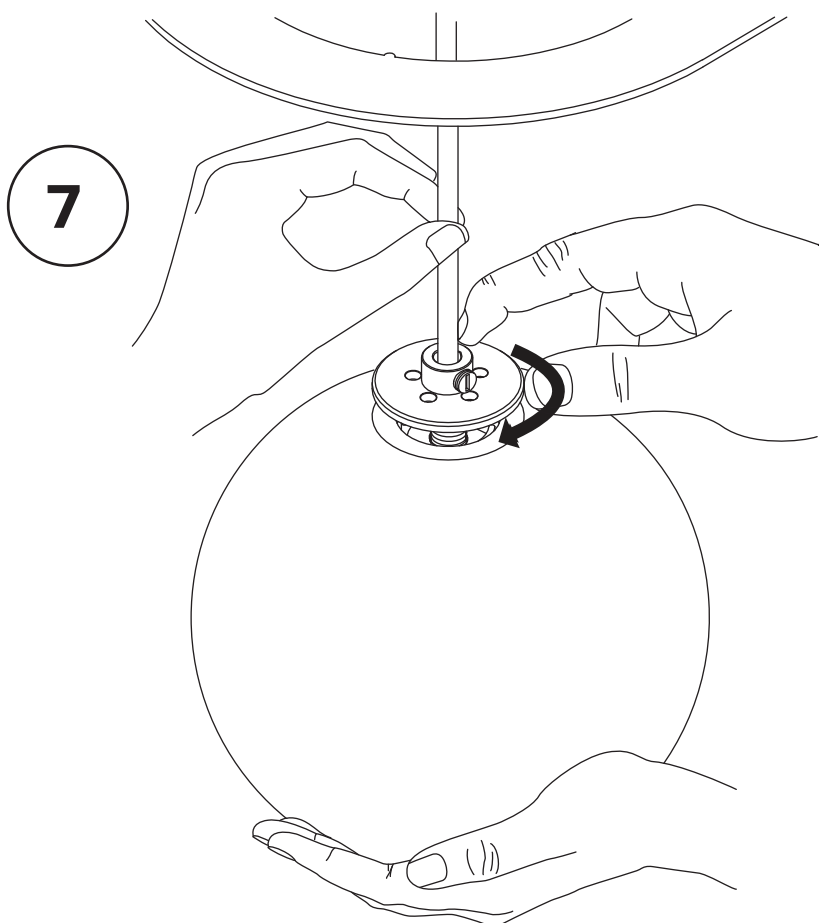
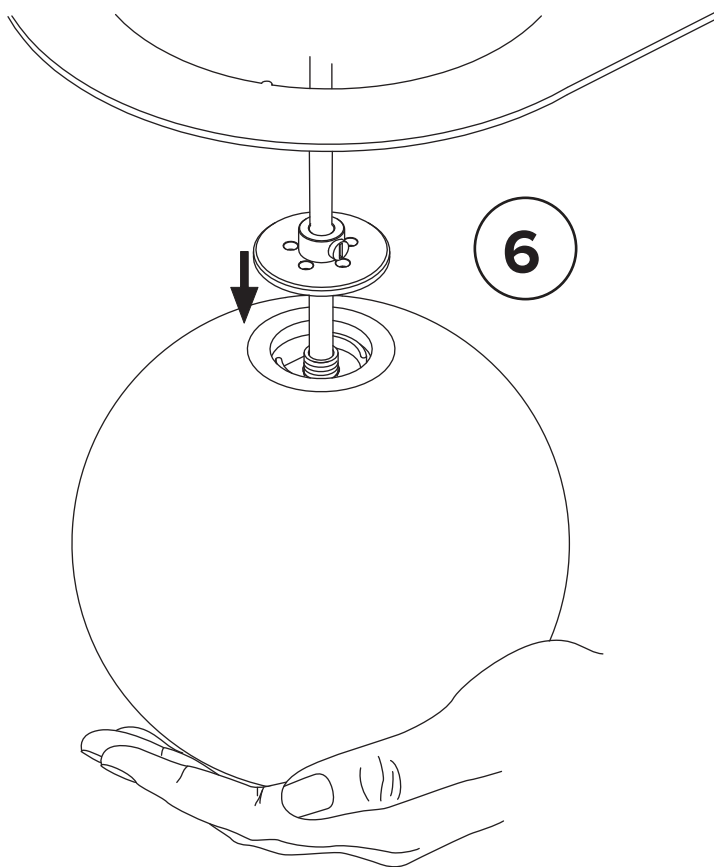


2

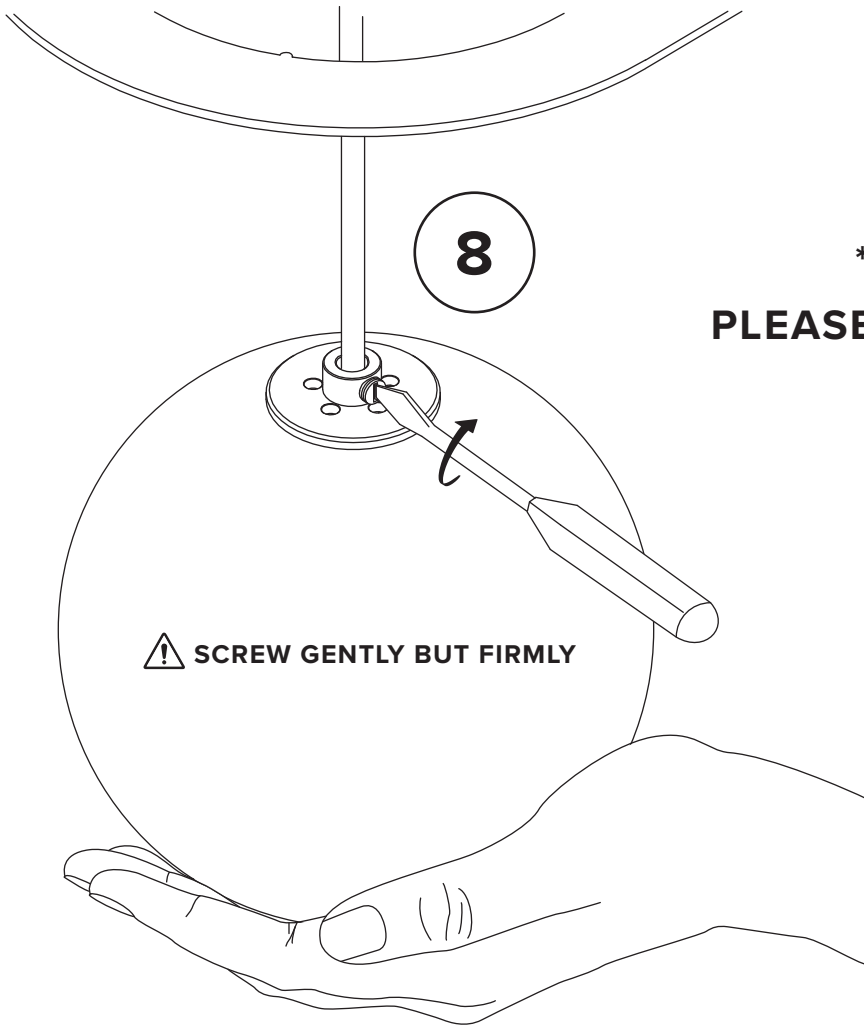
Make connection.  1/4"



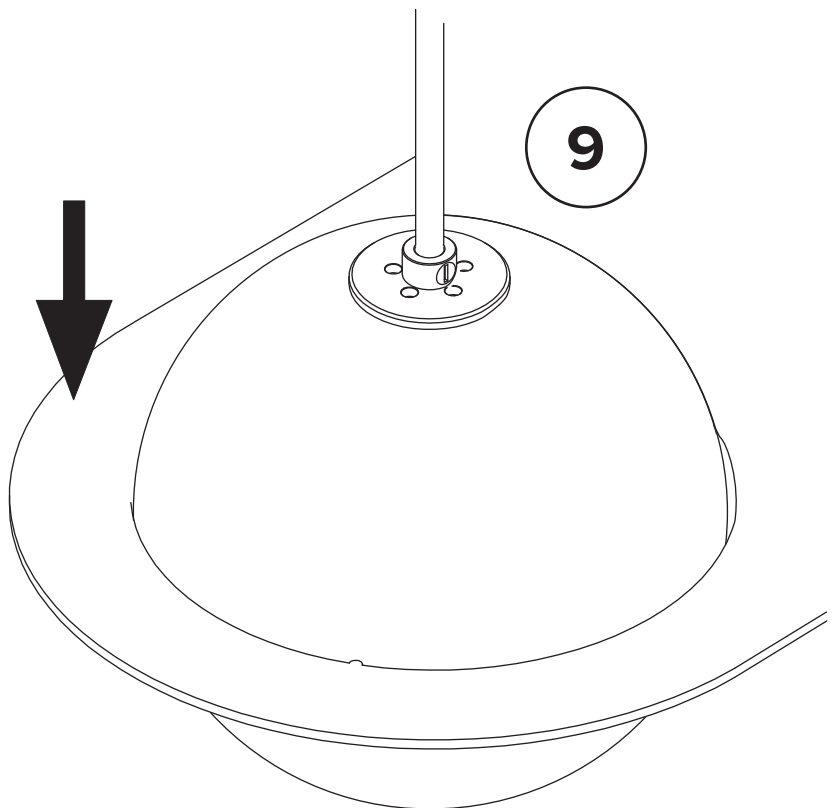




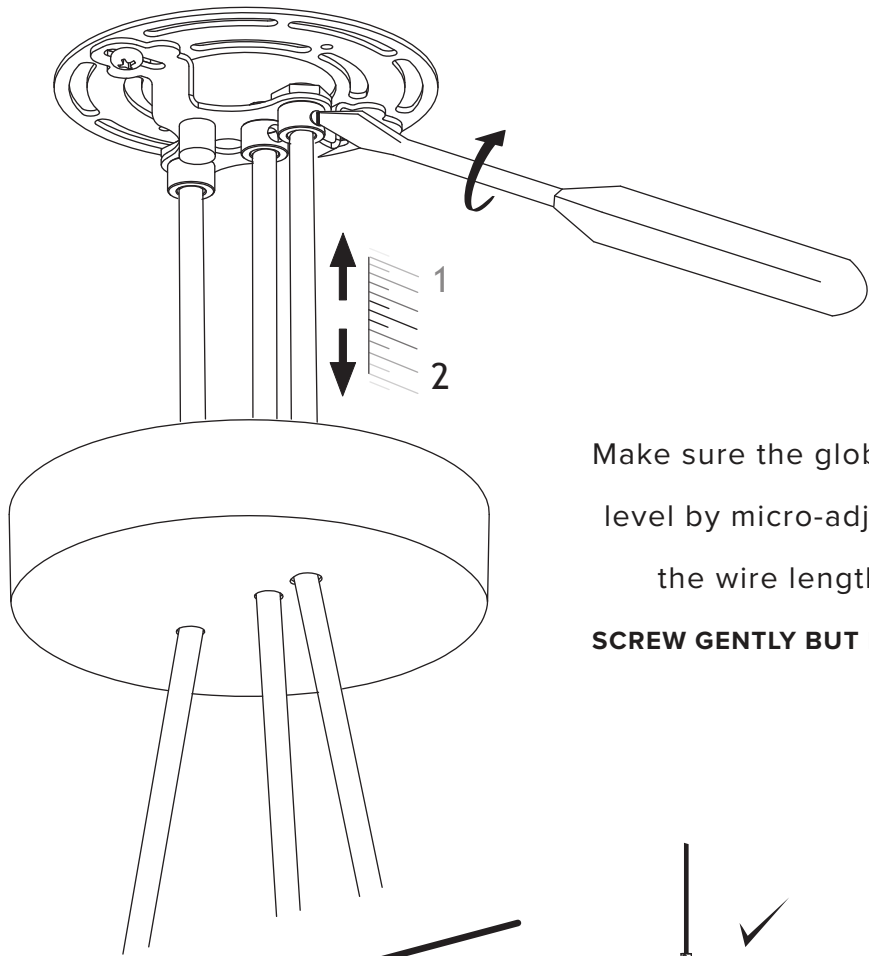




\* To ensure safety,  
**PLEASE FOLLOW THESE STEPS  
CAREFULLY**

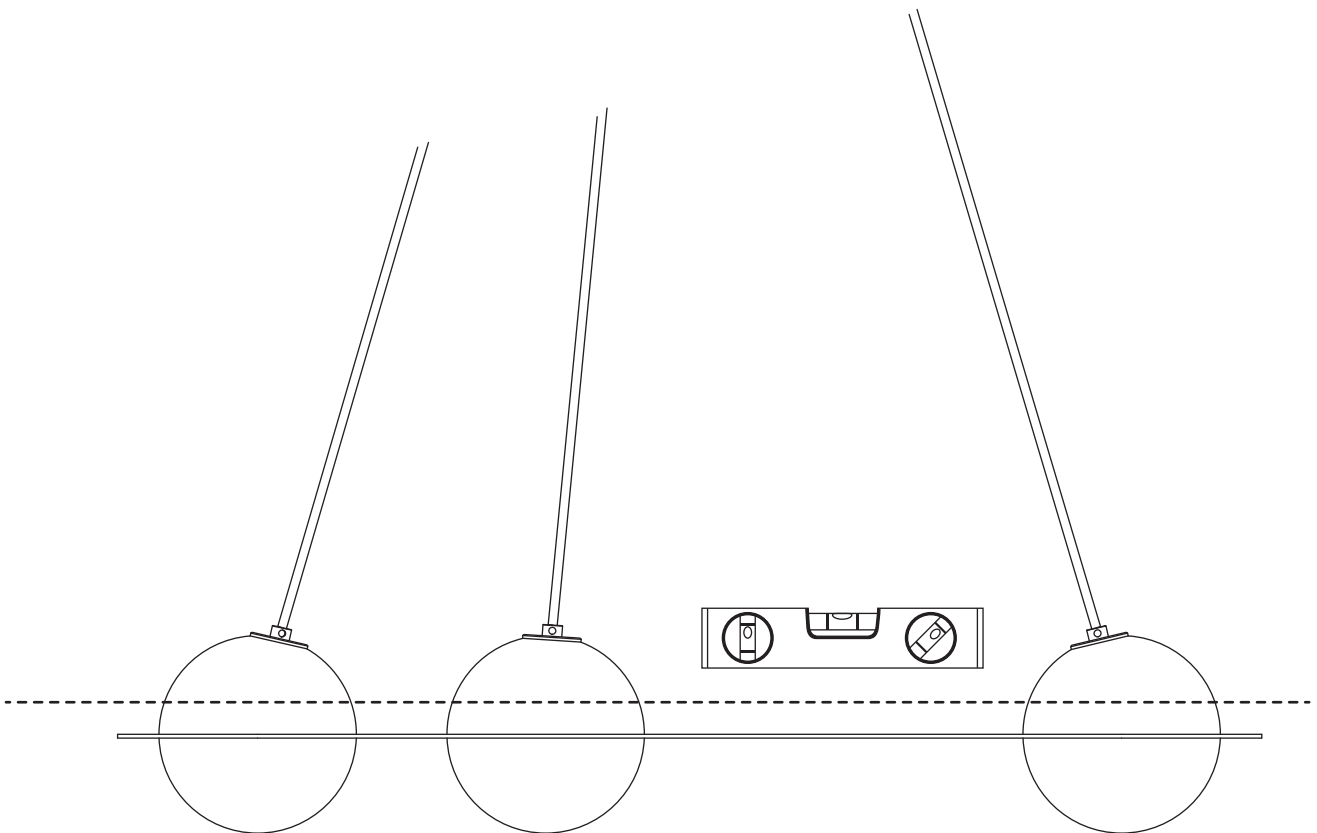
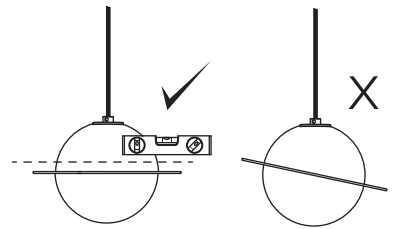


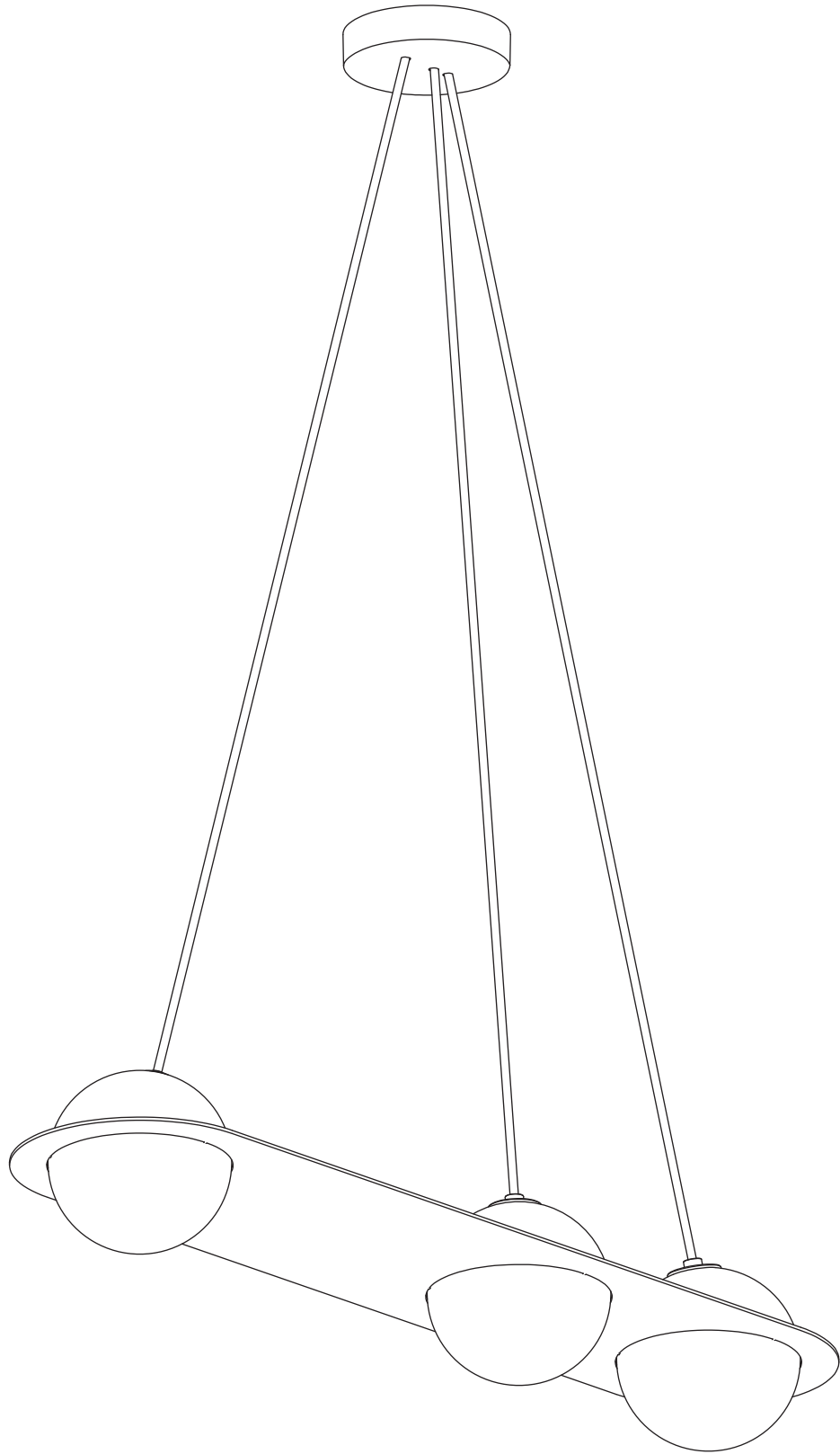
10



Make sure the globes are level by micro-adjusting the wire lengths.

**SCREW GENTLY BUT FIRMLY**





# LAURENT 07

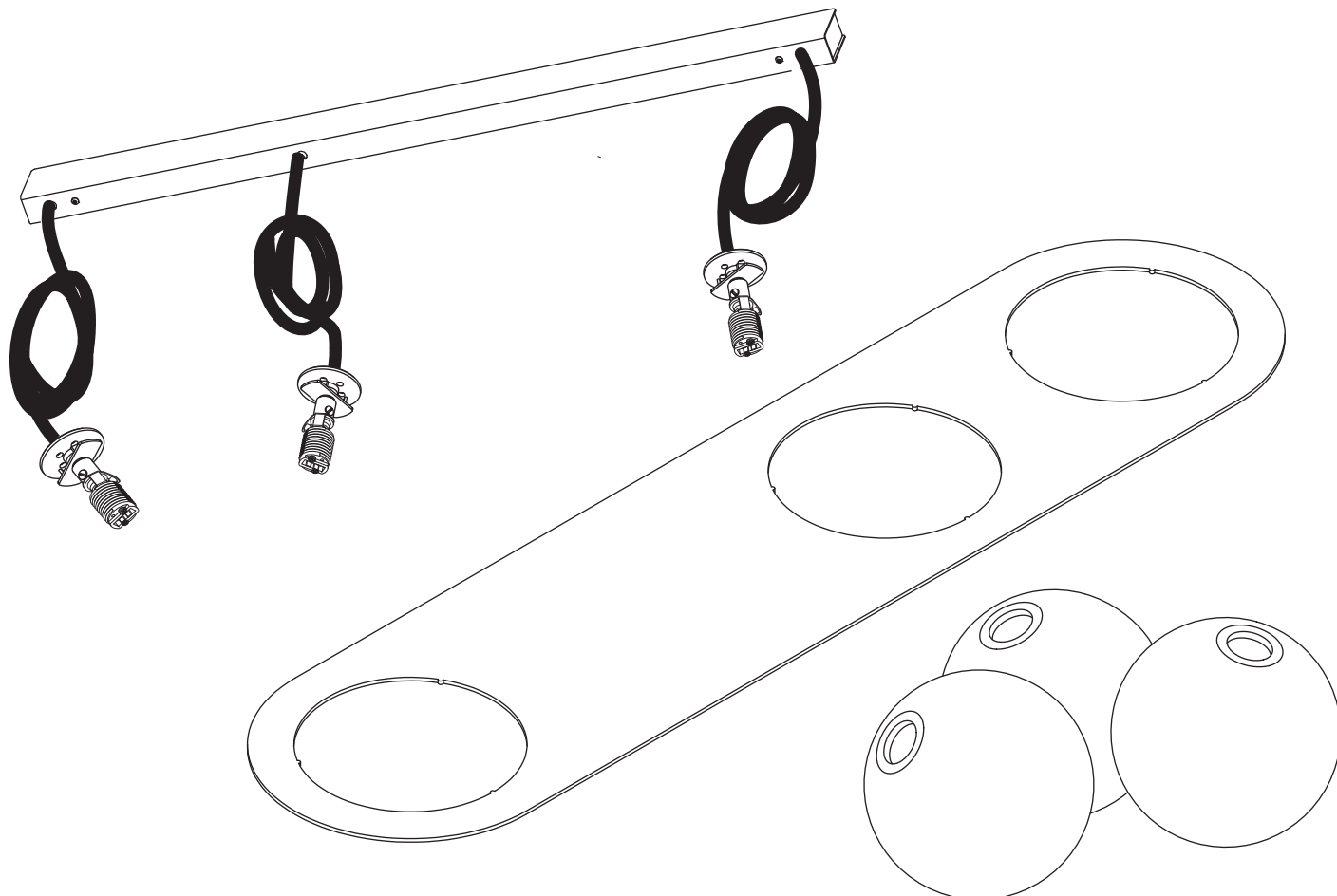
1 x



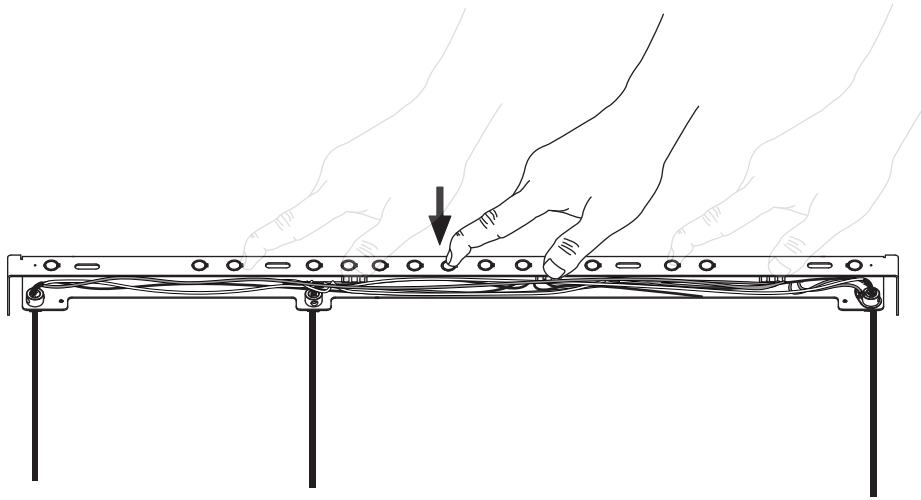
3 x



- To be installed by an electrician to an electrical box
- Use appropriate screws and anchors where necessary
- Wear enclosed gloves when handling lamp
- Handle materials with care. Please consult lamp maintenance sheet on our web site
- Should be used exclusively as a lamp and not as a shelving, display or hanging unit

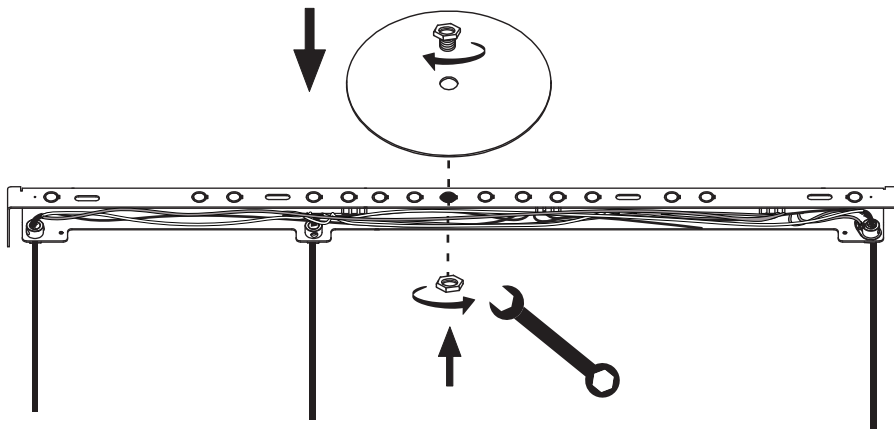


1

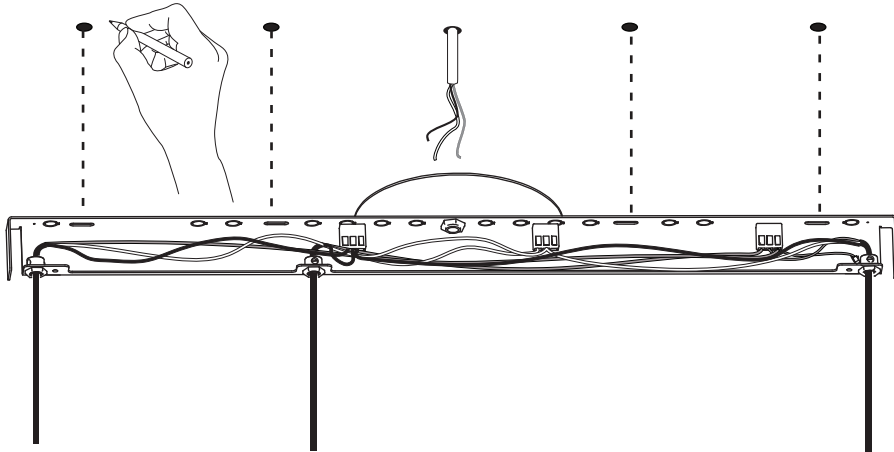


Knockout selected hole depending on desired electrical box alignment.

2



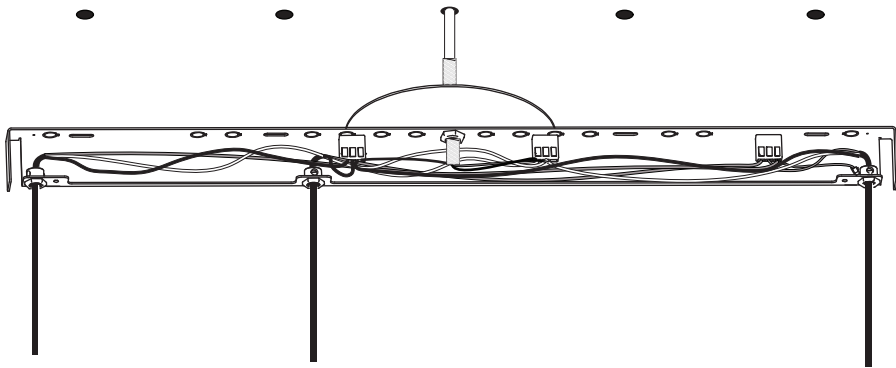
3



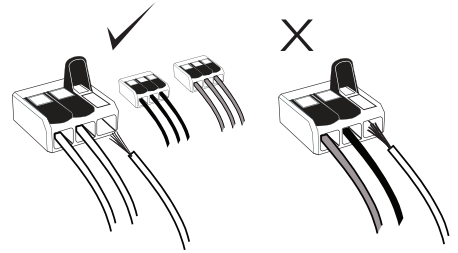
Before marking your anchor locations, align the ceiling bracket with the center of your junction box.

**Make sure to use appropriate anchors for ceiling material.**

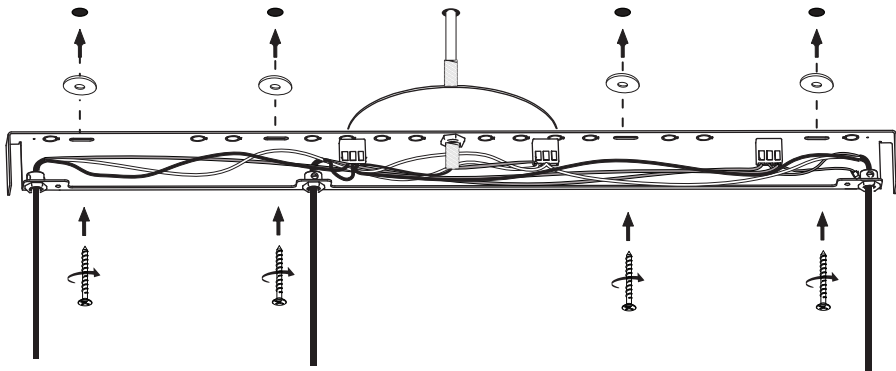
4



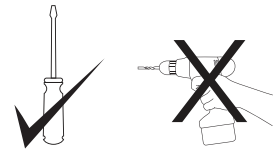
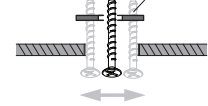
Make connection.



5

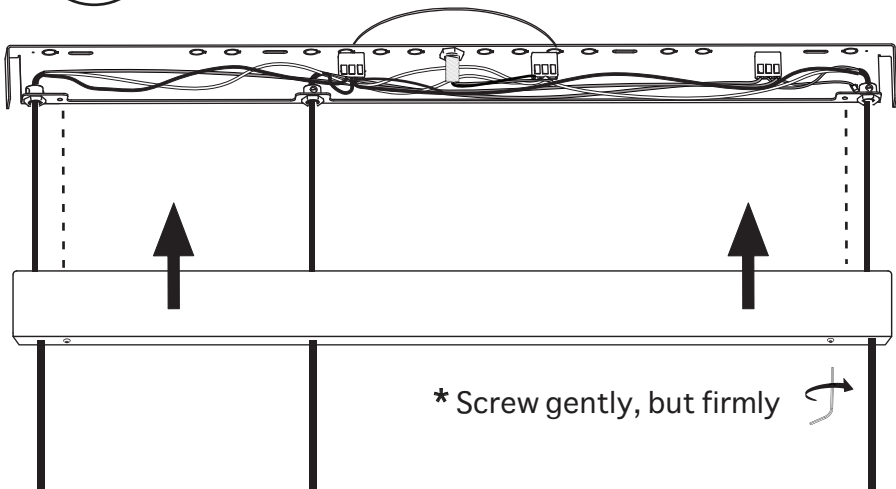


SMALL SPACING WASHER

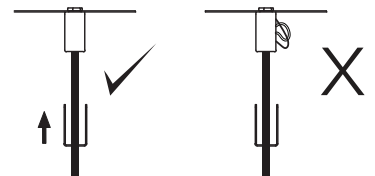


Avoid scuffing wires during this operation.

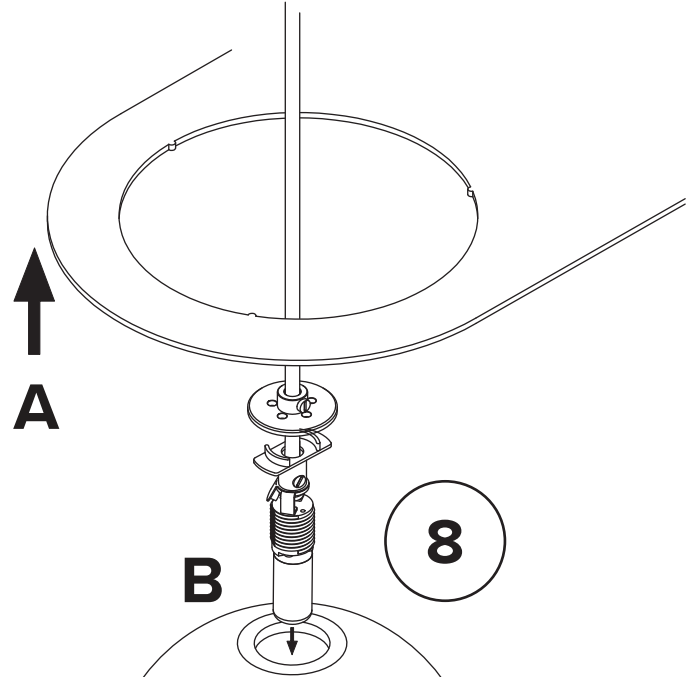
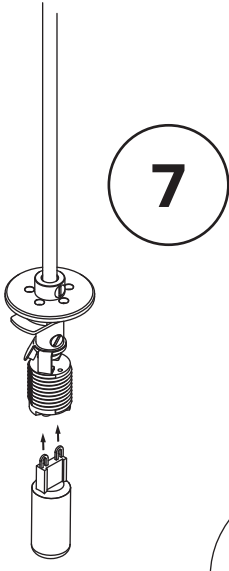
6



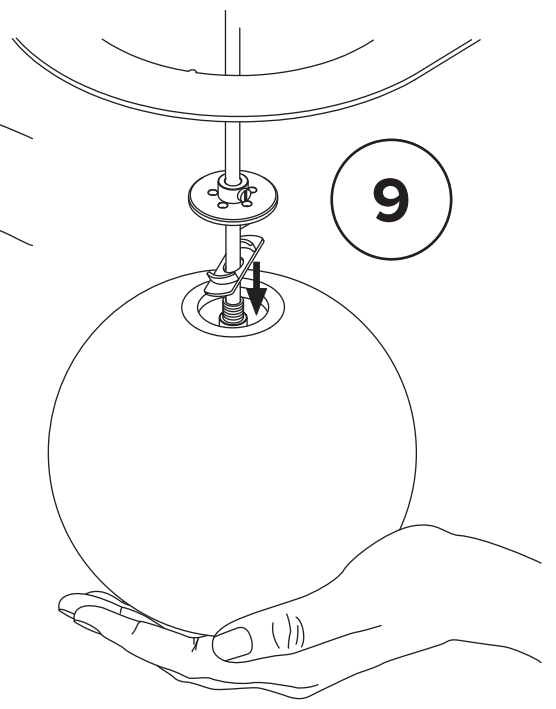
\* Screw gently, but firmly

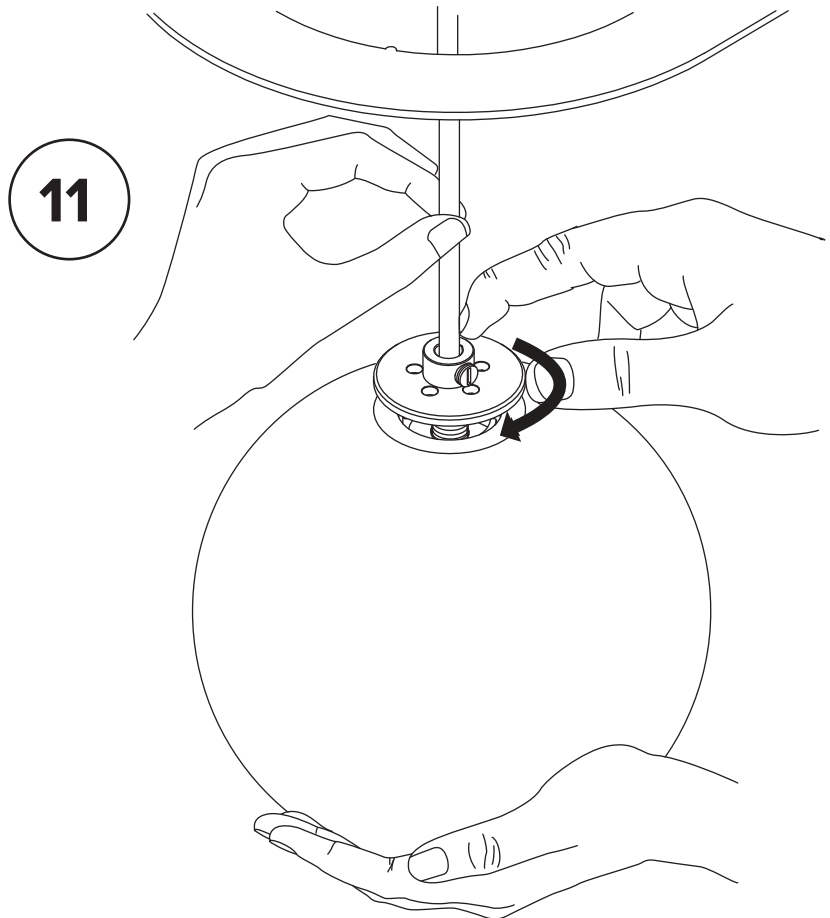
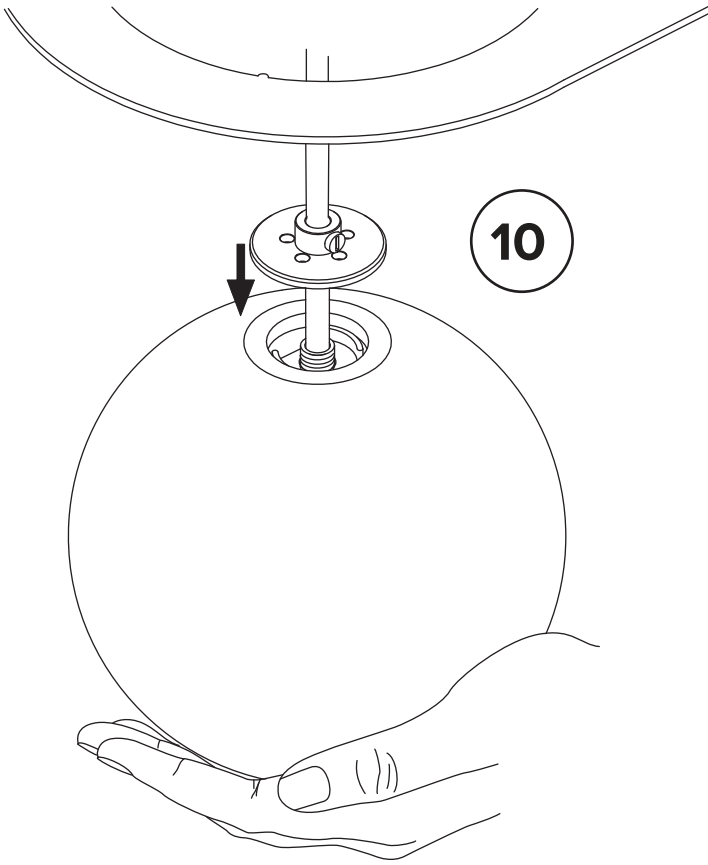


Ensure no wires are clipped or pinched during this operation.

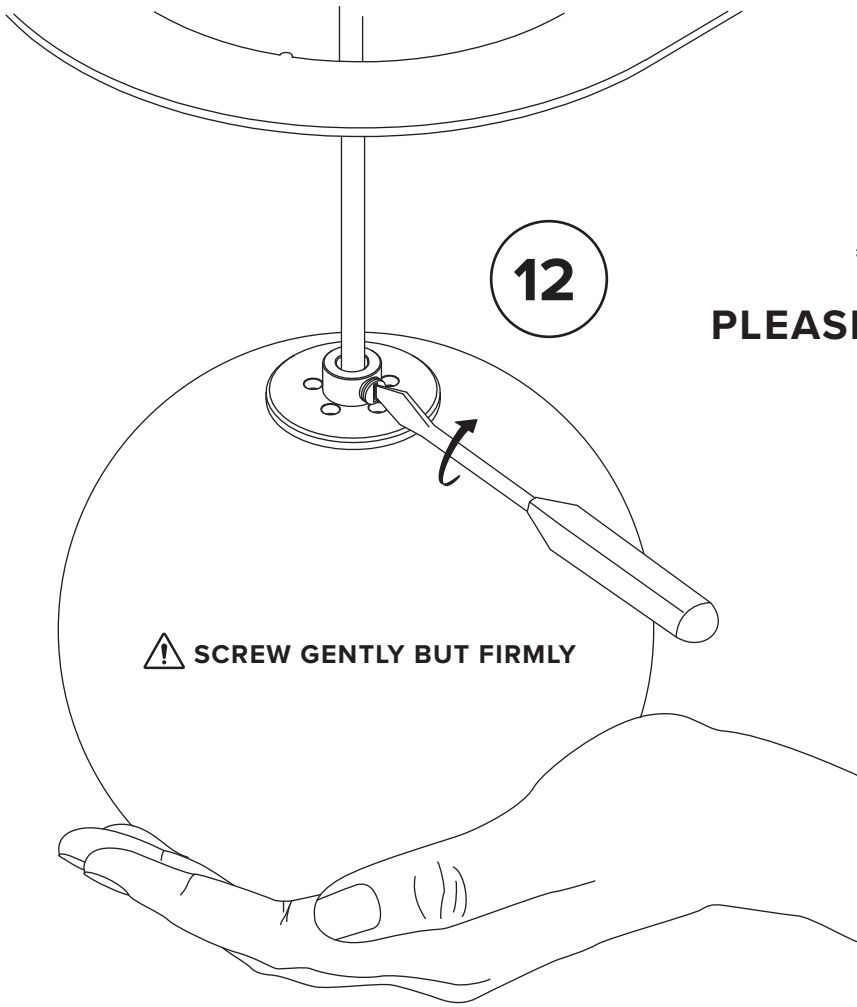


**A**

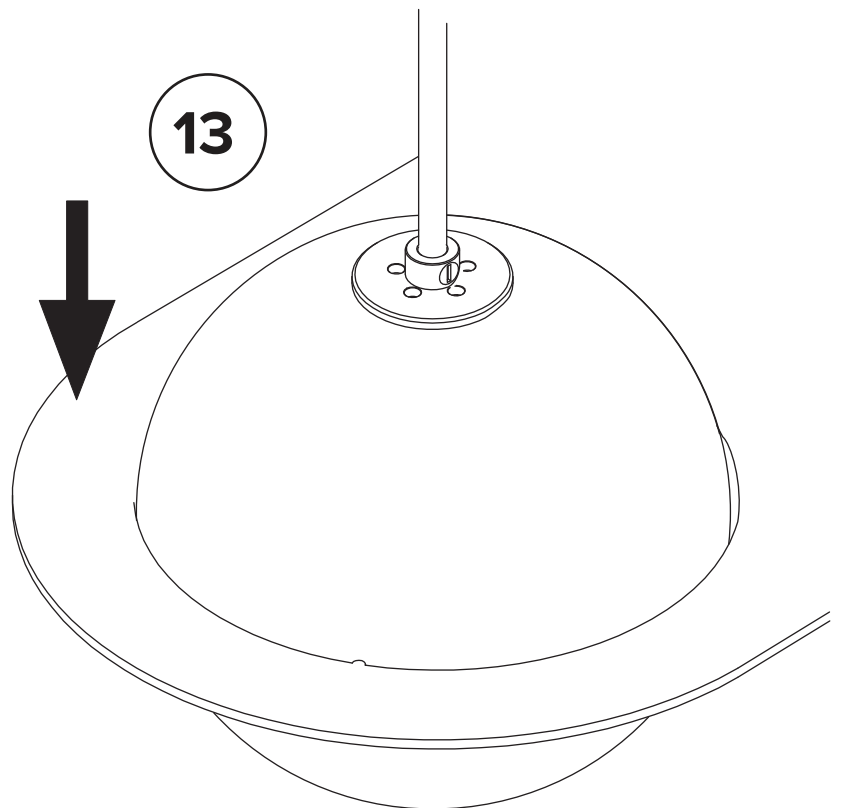




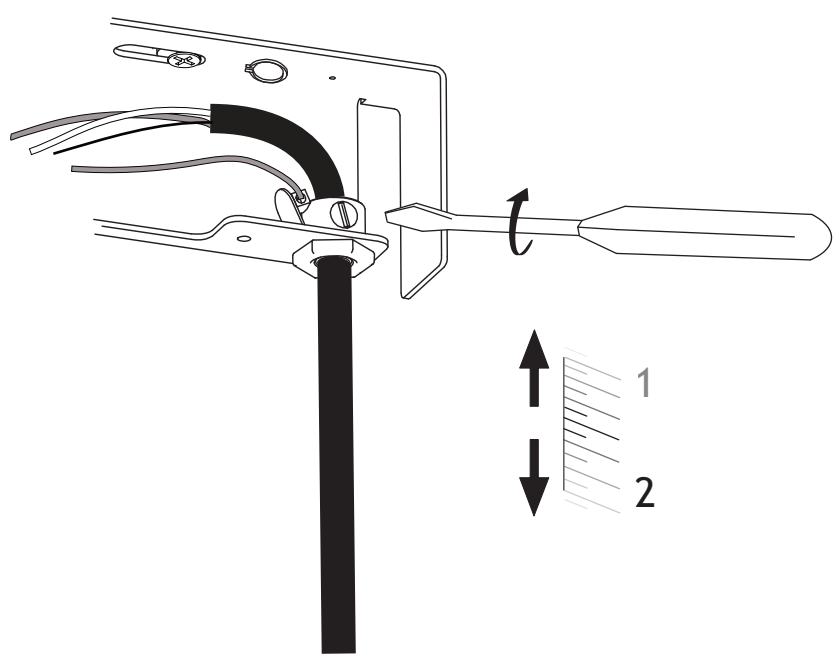




\* To ensure safety,  
**PLEASE FOLLOW THESE STEPS  
CAREFULLY**

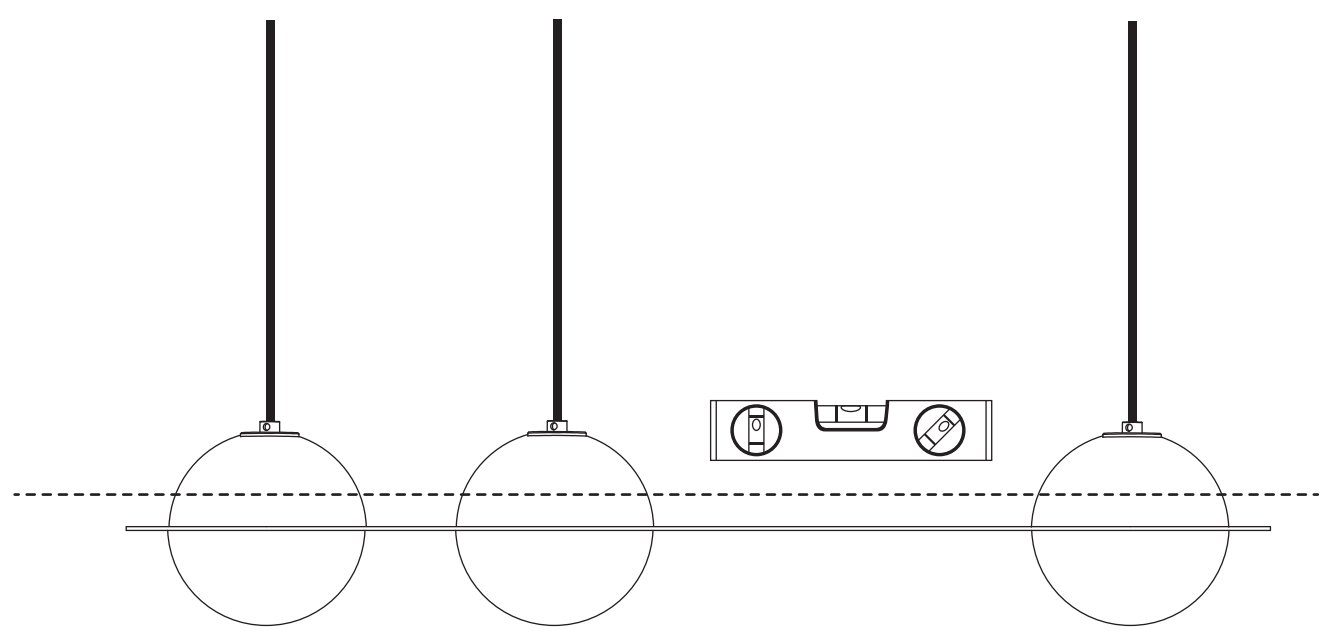
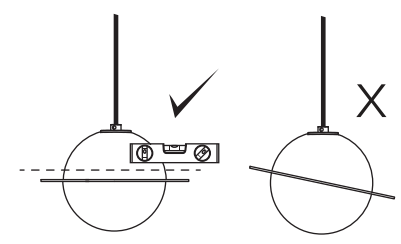


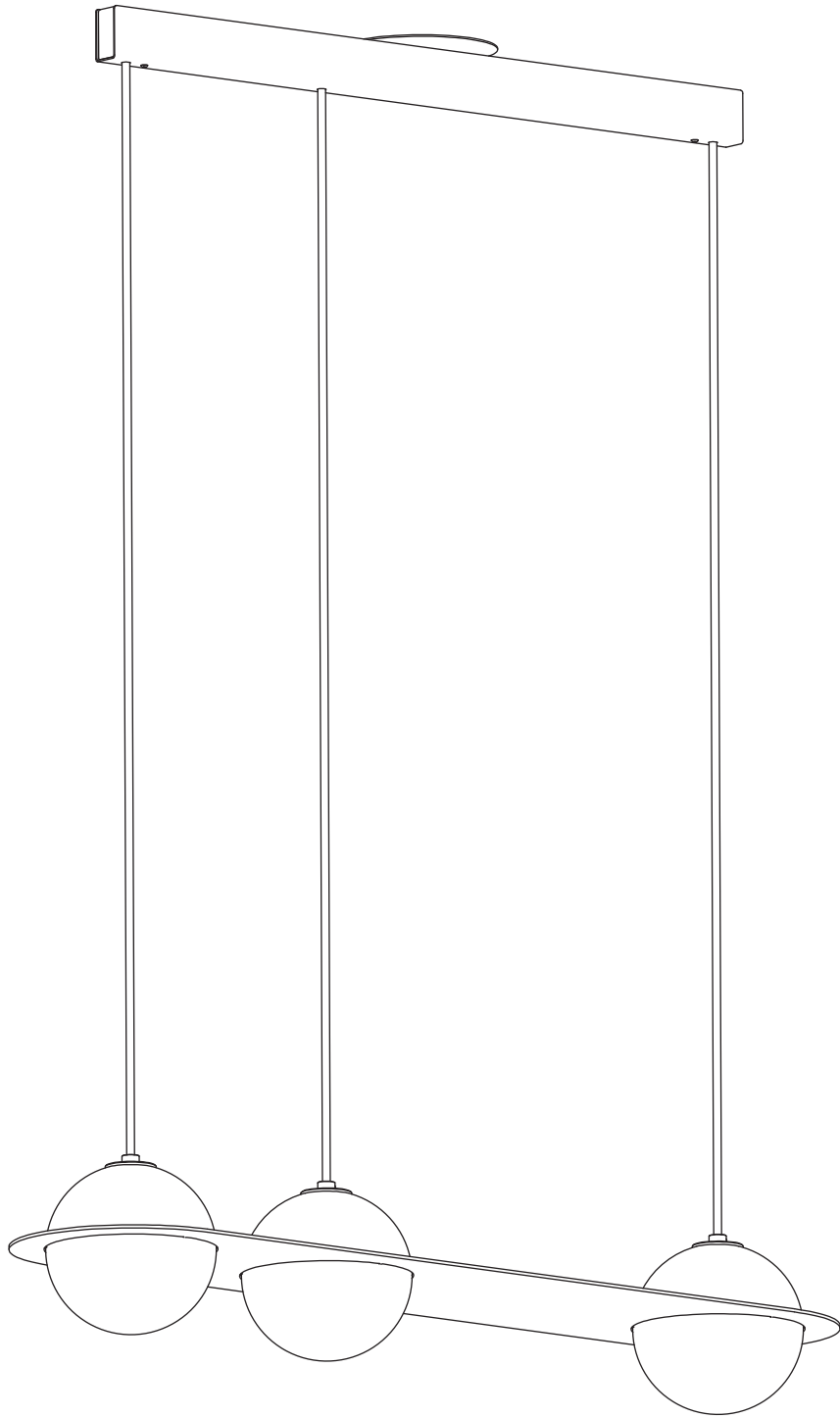
14



Make sure the globes are level by micro-adjusting the wire lengths.

**SCREW GENTLY BUT FIRMLY**

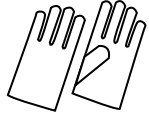




**LAMBERT  
& FILS**  
studio

# ENTRETIEN / MAINTENANCE

---



**When handling your light fixture, please use enclosed cotton gloves to avoid blemishes**

## **Unfinished Brass**

If your lamp contains brass components, its look will evolve over time. We work with unfinished brass because we believe brass looks best when it is allowed to build a patina with age.

If you want to restore the lamp's original polished finish, please follow instructions for metal polish.

## **Instructions for use of metal polish (e.g. Collinite No.850 Metal Wax)**

1. Shake product well before application.
2. Using a thin applicator pad, apply a thin amount of metal polish to small sections at a time.
3. Rub well locally to loosen the tarnish.
4. Reapply as necessary until surface is free of contaminants.
5. Before product dries, polish with a dry, clean, and soft microfiber cloth towel.

**WARNING : The above instructions apply to brass components only.**

## **Painted Surface or Graphite Finish**

If your light fixture contains painted surfaces or a graphite finish, it can be cleaned using any all purpose household cleaner. Do not use solvents containing strong chemicals.

**Pour manipuler la lampe, svp utiliser les gants de coton fournis dans la boîte.**

## **Le Laiton brut**

Si votre luminaire comporte des pièces en laiton, sa couleur changera. Ceci n'est pas un défaut de fabrication, mais bien le changement normal de l'apparence du laiton avec le temps. Nous avons choisi comme matière première le laiton brut car nous croyons que le laiton est à son meilleur quand il développe une patine avec l'âge.

Si vous désirez redonner une apparence neuve - polie – à votre luminaire, svp suivre les instructions pour le polissage.

## **Instructions pour l'utilisation de la crème de polissage (ex. Collinite No.850 Metal Wax)**

1. Bien agiter le produit avant l'utilisation.
2. À l'aide d'un chamois ou chiffon doux de coton, verser une fine couche de crème, une section à la fois.
3. Frotter la surface doucement sur les traces foncées du métal terni.
4. Repasser avec la crème de polissage jusqu'à ce qu'il n'y ait plus de traces indésirables.
5. Avant que le produit ne sèche, essuyer la surface avec un chiffon en microfibres sec et propre.

**ATTENTION : Les instructions ci-dessus, ne s'appliquent qu'aux pièces en laiton.**

## **Surfaces Peintes et Fini Graphite**

Si votre luminaire contient des surfaces peintes ou un fini graphite, utiliser n'importe quel produit nettoyant multi-usages standard et un chiffon doux. Éviter tous solvants contenant des produits chimiques forts.