



Tratten

Tratten was designed by Hans-Agne Jakobsson in the 1960s and has become a true classic. Today, many of his objects are considered collectable.



Rough Copper



Hot Dip Galvanized
Steel



Rough Brass

Specifications

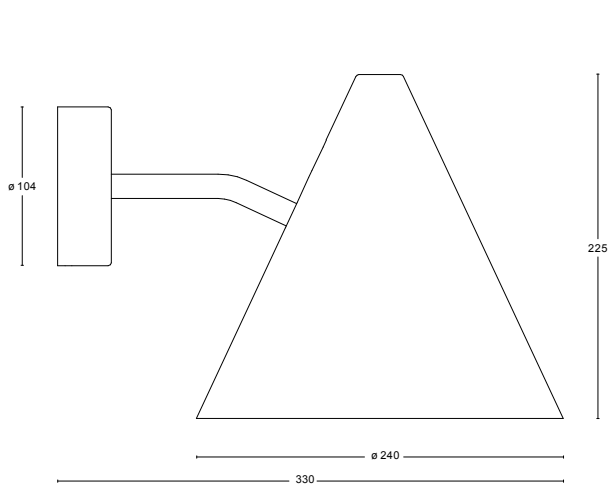
TECHNICAL SPECIFICATION

Designer	Hans-Agne Jakobsson
Electrical data	Class I IP23 230V
Description	Brass, copper or galvanized steel
Connection	Fixed mounting
Mounting	Fixed installation to the wall
Lightsource	1 x LED E27 2700K 806lm CRI>80 , null x Integrated LED 2700K 600lm CRI>90 (Included)
Socket	E27
Weight	3 kg
Volume	0.05 m ³

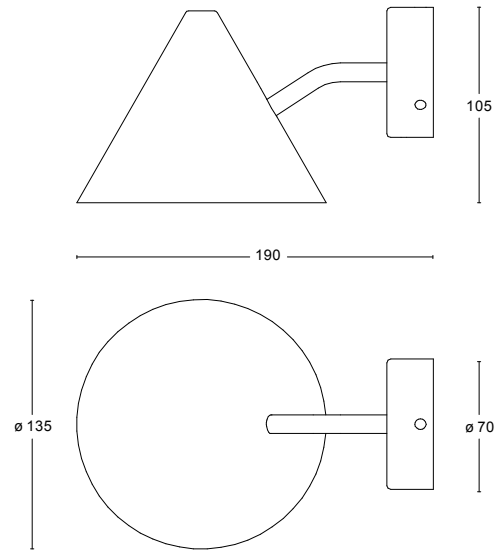
ARTICLE NO

	Large
J30200F99	Rough copper
J30200F71	Hot dip galvanized steel
J30200F72	Rough brass
50300	LED E27 2700K 806lm CRI>80 (Need 1)
	Small
J30201F69	Rough copper
J30201F70	Nickel plated brass
J30201F72	Rough brass

Dimensions



Large



Small

For more info, visit our website