


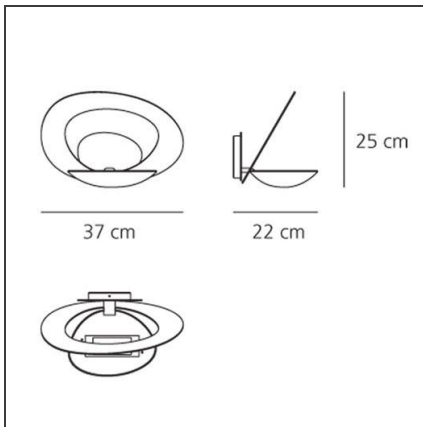
## Pirce Wall - White



IP20    

Dimmerable: +  -

### TECHNICAL DRAWINGS



### DESIGN BY

Giuseppe Maurizio Scutellà

### DESCRIPTION

Wall lamp in painted aluminum, a range extension of the Pirce series.

### FEATURES

<b>Article Code:</b>	1240010A	<b>Material:</b>	Aluminum
<b>Colour:</b>	White	<b>Series:</b>	Design
<b>Installation:</b>	Wall	<b>Area contract:</b>	Residential
<b>Environment:</b>	Indoor	<b>Emission:</b>	Indirect

### DIMENSIONS

<b>Length:</b>	cm 22	<b>Glow Wire Test:</b>	650
<b>Width:</b>	cm 37		
<b>Height:</b>	cm 25		

### NOT INCLUDED SOURCES

<b>Category:</b>	HALO	<b>Color Rendering:</b>	1a
<b>Number:</b>	1	<b>Color temperature (K):</b>	3000K
<b>Watt:</b>	230W		
<b>Lbs:</b>	Qt-de12		
<b>Socket:</b>	R7s		
<b>Duration (h):</b>	2000h		

### ALTERNATIVE SOURCES

<b>Category:</b>	LED
<b>Number:</b>	1
<b>Watt:</b>	11w
<b>Delivered lumens output (lm):</b>	1110lm
<b>Type:</b>	2
<b>Socket:</b>	R7s
<b>Class:</b>	A

### LUMINAIRE

<b>Watt:</b>	230W	<b>CCT:</b>	2950K
<b>Voltage:</b>	220V-240V		