

Audo

COPENHAGEN



UMANOFF PLANTER
Designed by *Arthur Umanoff*



UMANOFF PLANTER
Designed by *Arthur Umanoff*

Offered in three different sizes, the Umanoff Planter marries sleek powder coated steel lines with curved handwoven rattan for a natural contrast. Designed in 1961 by the late Arthur Umanoff, a master of mid-century modern, the elevated planter is suitable for both indoor and outdoor use.



Planter 27



BLACK / RATTAN
5710539

Planter 32,5



BLACK / RATTAN
5711539

Planter 69



BLACK / RATTAN
5712539

TECHNICAL SPECIFICATIONS

PRODUCT TYPE
Planter

COLLI
1

ENVIRONMENT
Indoor
Outdoor

DIMENSIONS

27
H: 27 cm / 10,6"
Ø: 27 cm / 10,6"

32,5
H: 32,5 cm / 12,8"
Ø: 41 cm / 16,1"

69
H: 69 cm / 27,2"
Ø: 36,5 cm / 14,4"

PRODUCTION PROCESS
Welded steel rod, spun steel and
handwoven natural rattan.

COLOURS
Black (RAL 9005)

GLOSS
Gloss 10-20 (with texture)

MATERIALS
Powder coated steel, rattan

WEIGHT
27: 2,4 kg / 5,29 lb
32,5: 4,2 kg / 9,3 lb
69: 4 kg / 8,8 lb

PACKAGING TYPE
Brown box

PACKAGING MEASUREMENTS
(H × W × D)

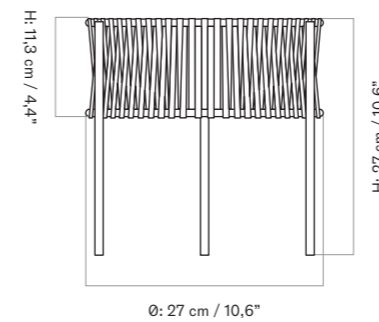
27
30 cm × 28,5 cm × 28,5 cm /
11,8" × 11,2" × 11,2"

32,5
35,5 cm × 42,5 cm × 42,5 cm /
14" × 16,2" × 16,2"

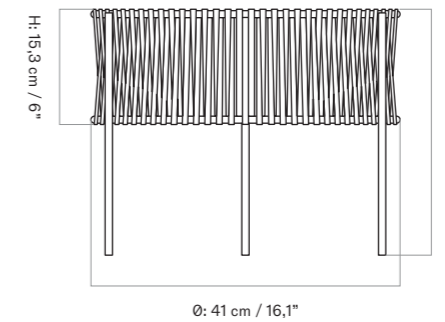
69
71,5 cm × 35 cm × 33 cm /
28,1" × 13,8" × 13"

MATERIALS & MAINTENANCE
Please visit audocph.com for materials, care
and maintenance instructions.

PLANTER, 27



PLANTER, 32,5



PLANTER, 69

