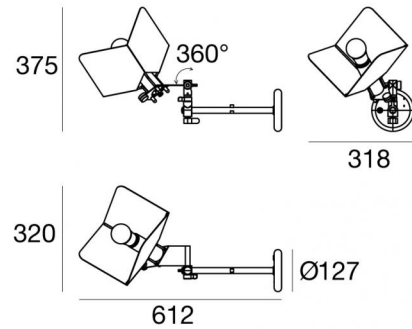




Wall Lights | 220-240 V | 1xE27  
8993



Technical data	
Designer	Joe Colombo
Construction year	1970
Type	Wall Lights
Installation position	Wall lights
Installation environment	Indoor
Power	1 x 7 W
Lamp cap	1 x E27
Frequency	50-60 Hz
Optics	General Lighting
Light emission direction	downward and upward
Safety class	1
IP	IP20
Glow wire test	No
Direct mounting on normally flammable surfaces	Yes
CE	Yes
Dimmable article	No
Directional	No
Tilting	Yes
total angle (horizontal plane)	350 °
total angle (vertical plane)	360 °
Walk-over	No
Drive-over	No
Cable included	No
Resin potting	No
Net weight	2,3 Kg

#### Finishing casing

Material	Iron
Colour	black
Processing	Powder coating

#### Finishing diffuser

Material	Iron
Colour	White RAL 9016
Processing	Powder coating

#### Finishing mounting frame

Material	Iron
Colour	black
Processing	Powder coating



Wall Lights | 220-240 V | 1xE27  
**8993**

Single emission wall lights for indoor application. LED lamplamp included, lamp cap 1xE27.

The device body is made of iron and features a black finish, processed by means of powder coating; the diffuser is made of iron with a powder coating treatment; the mounting frame is made of iron, with a black finish, processed by means of powder coating. The ingress protection degree is IP20; the total weight is of 2,3 kg.

The device features protection class I and can be wall lights-mounted.

Compliant with the EN 60598-1 standard and its specific provisions.

#### **Illuminotechnical Features**

Source lumens	650 lm
Colour temperature	2700 K
Colour rendering index	80 Ra