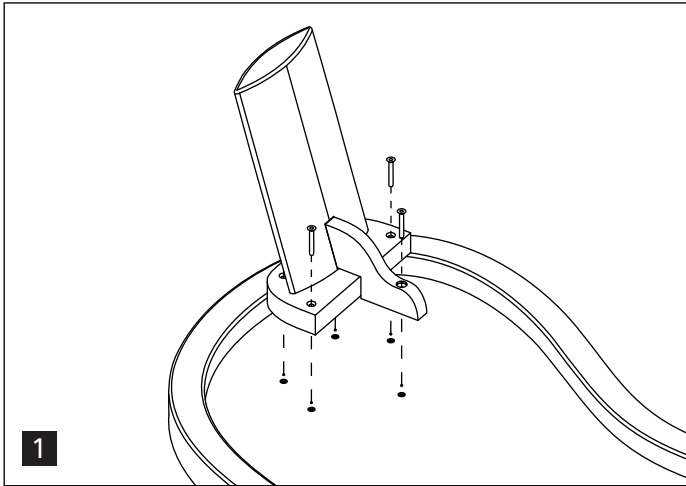
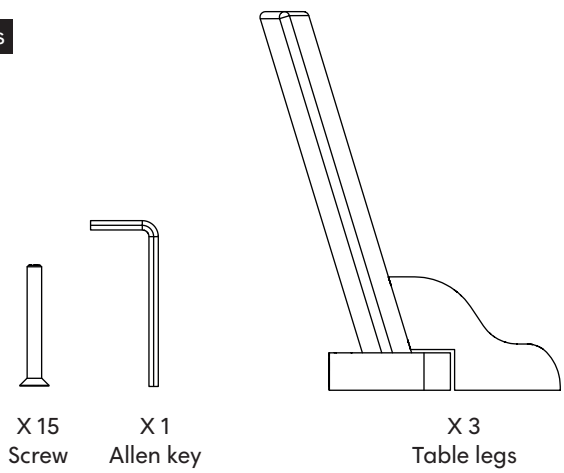


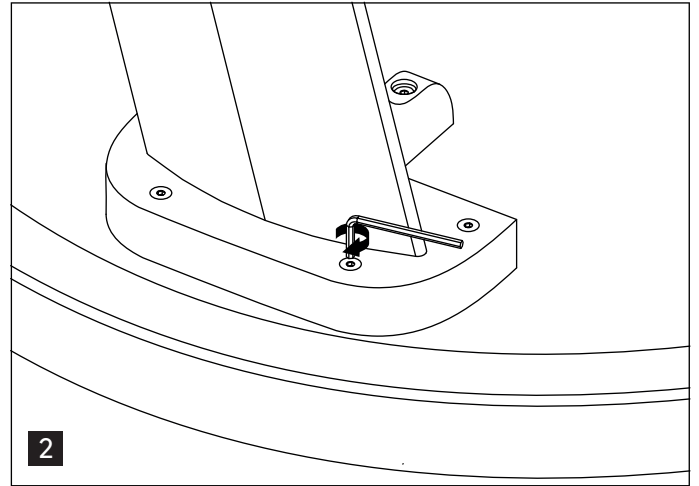
Assembly Instructions

Bigfoot Table
Model 5028
Design: Paul T. Frankl

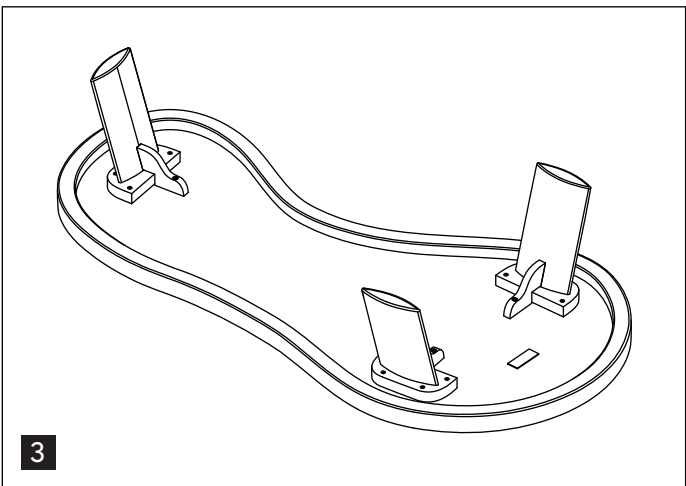
Parts



Place the tabletop upside down on a soft, clean surface. Align the leg with the screw holes, then insert a screw into each hole and tighten loosely.



Tighten each screw firmly, but avoid overtightening. Be careful not to scratch the leg with the hex key.



Repeat the previous steps for each remaining leg, ensuring all screws are inserted and loosely tightened before securing them firmly.

